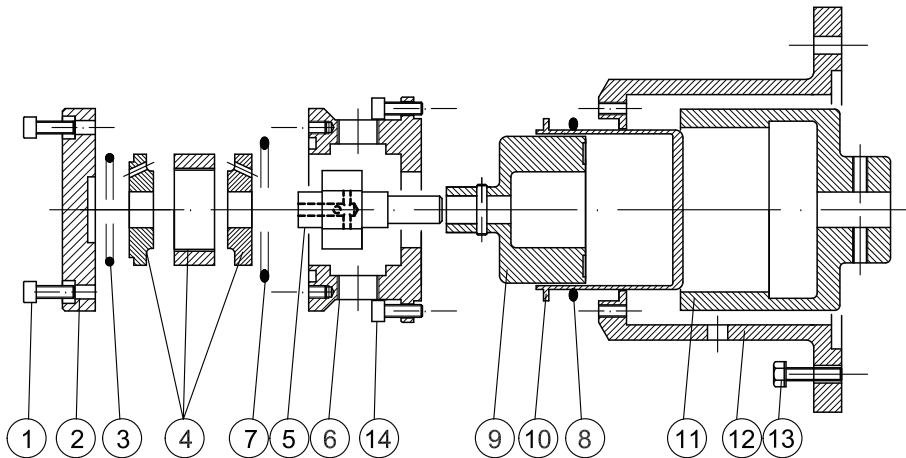


**FEATURES/CARATTERISTICHE**

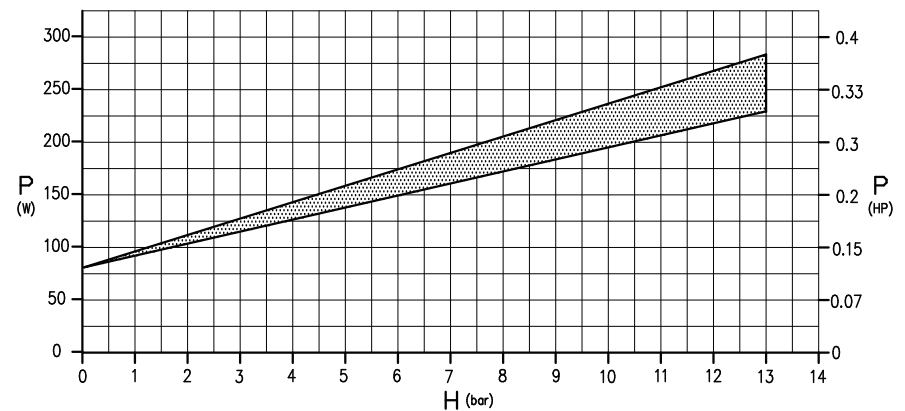
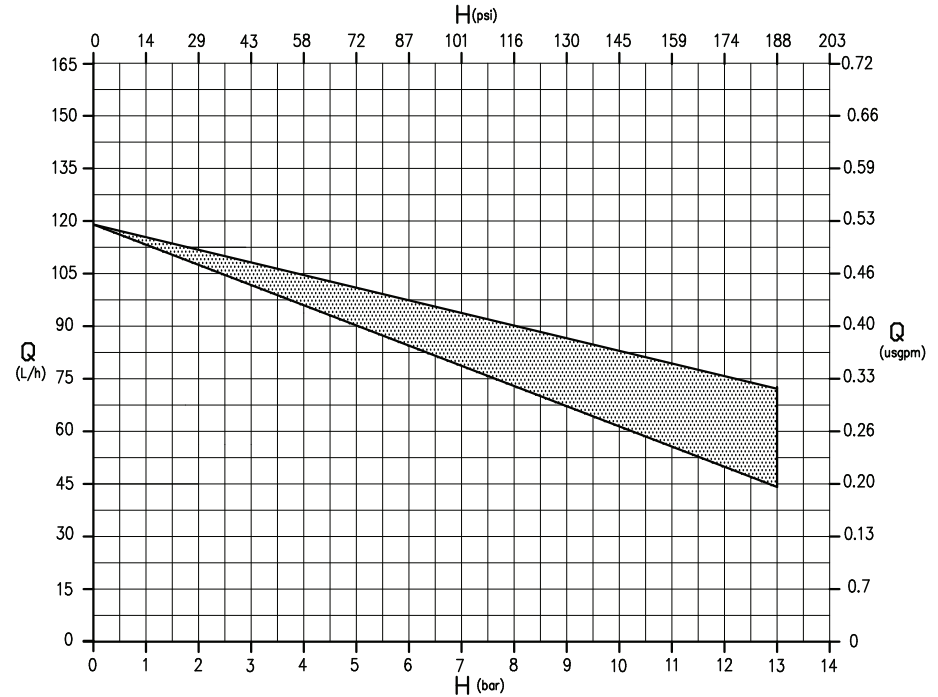
Materials available/Materiali disponibili:	AISI 316
Max flow/Portata massima:	120 L/h
Max head/Prevalenza massima:	13 bar
Max temperature/Temperatura massima:	150 °C
Max viscosity/Viscosità massima:	2000 cPs
Pressure rating/Pressione nominale massima:	NP/PN 25

**SECTION AND PARTS LIST/SEZIONE E LISTA PARTI**



POS.	1	2	3	4	5	6	7	8	9	10	11	12	13	14
PART DESCR.	SET SCREWS	END COVER	O-RING	FLANGES STATOR VANES+PINS	ROTOR SHAFT	PUMP BODY	O-RING	O-RING	INTERNAL MAGNET	REAR CASING	EXTERNAL MAGNET	BRACKET	SET SCREWS	SET SCREWS
MAT.	AISI304	AISI316	EPDM VITON	GRAPHITE	AISI316	AISI316	EPDM VITON	EPDM VITON	AISI316	AISI316	C40+NdFeb	ALUMINIUM	AISI304	AISI304

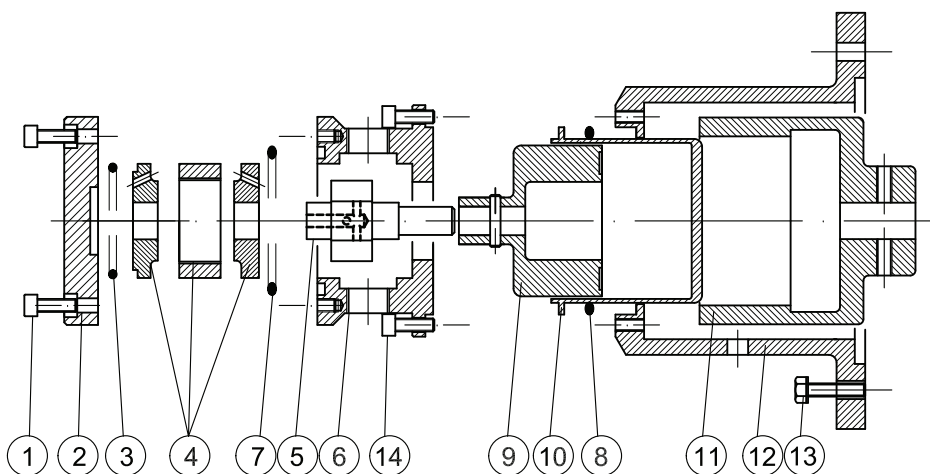
**CURVES/CURVE 50HZ-1450 RPM**



FEATURES/CARATTERISTICHE

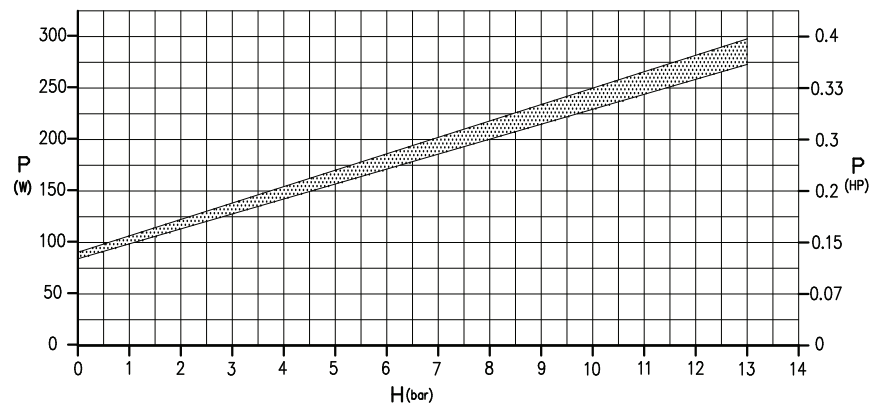
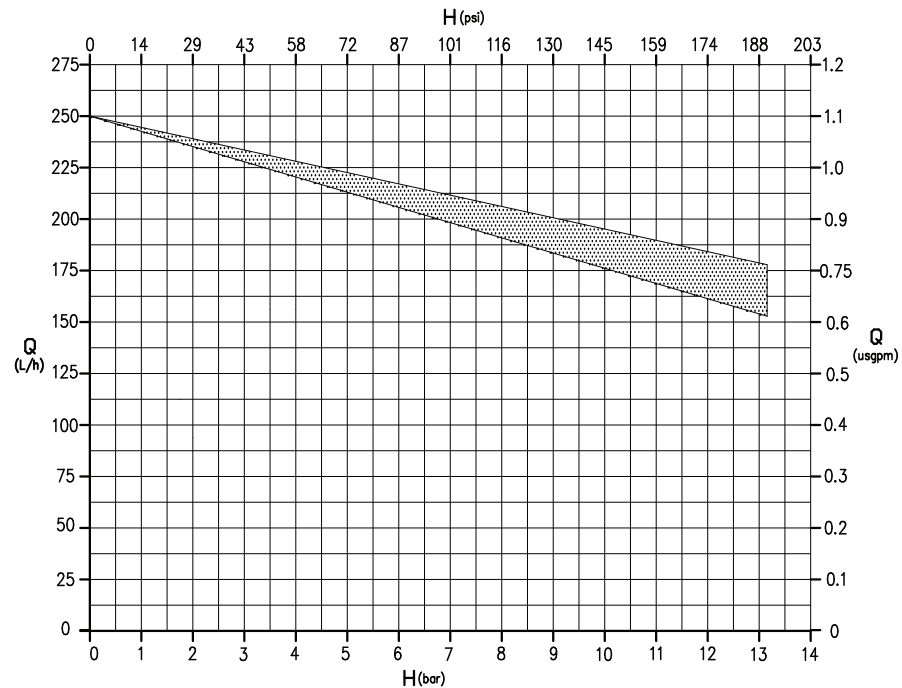
Materials available/Materiali disponibili:	AISI 316
Max flow/Portata massima:	250 L/h
Max head/Prevalenza massima:	13 bar
Max temperature/Temperatura massima:	150 °C
Max viscosity/Viscosità massima:	2000 cPs
Pressure rating/Pressione nominale massima:	NP/PN 25

SECTION AND PARTS LIST/SEZIONE E LISTA PARTI



POS.	1	2	3	4	5	6	7	8	9	10	11	12	13	14
PART DESCR.	SET SCREWS	END COVER	O-RING	FLANGES STATOR VANES+PINS	ROTOR SHAFT	PUMP BODY	O-RING	O-RING	INTERNAL MAGNET	REAR CASING	EXTERNAL MAGNET	BRACKET	SET SCREWS	SET SCREWS
MAT.	AISI304	AISI316	EPDM VITON	GRAPHITE	AISI316	AISI316	EPDM VITON	EPDM VITON	AISI316	AISI316	C40+NfFe	ALUMINIUM	AISI304	AISI304

CURVES/CURVE 50HZ-1450 RPM

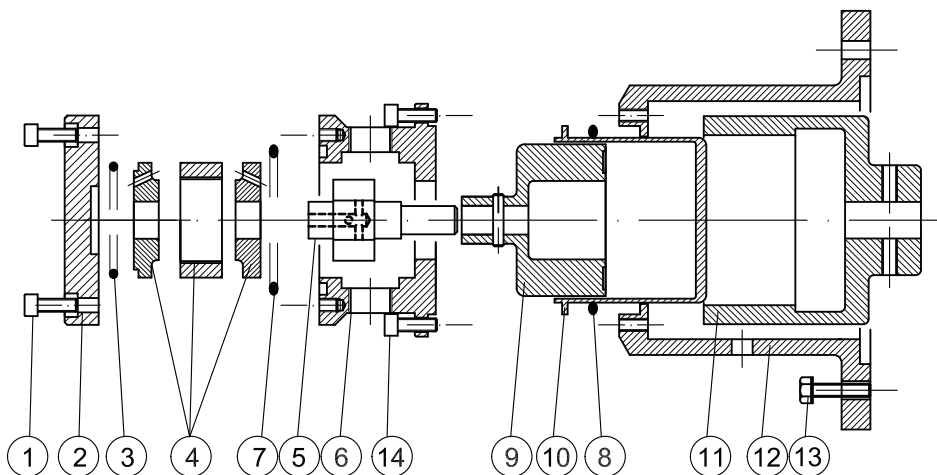


All data stated are an indication and are liable to change without notice / Tutti i dati sono indicativi e possono variare senza preavviso

FEATURES/CARATTERISTICHE

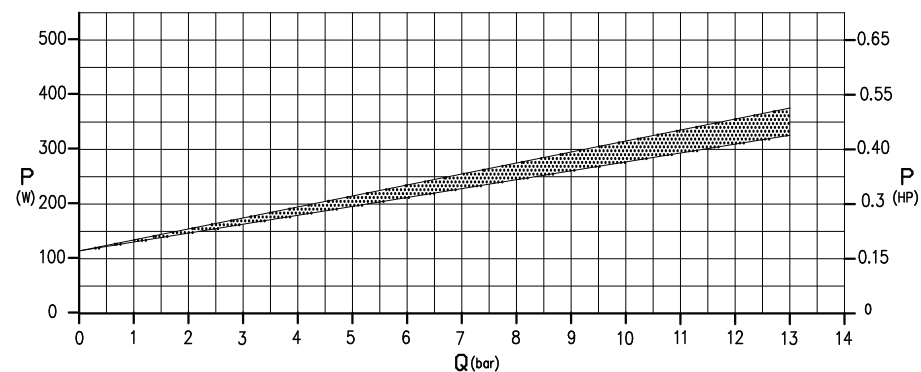
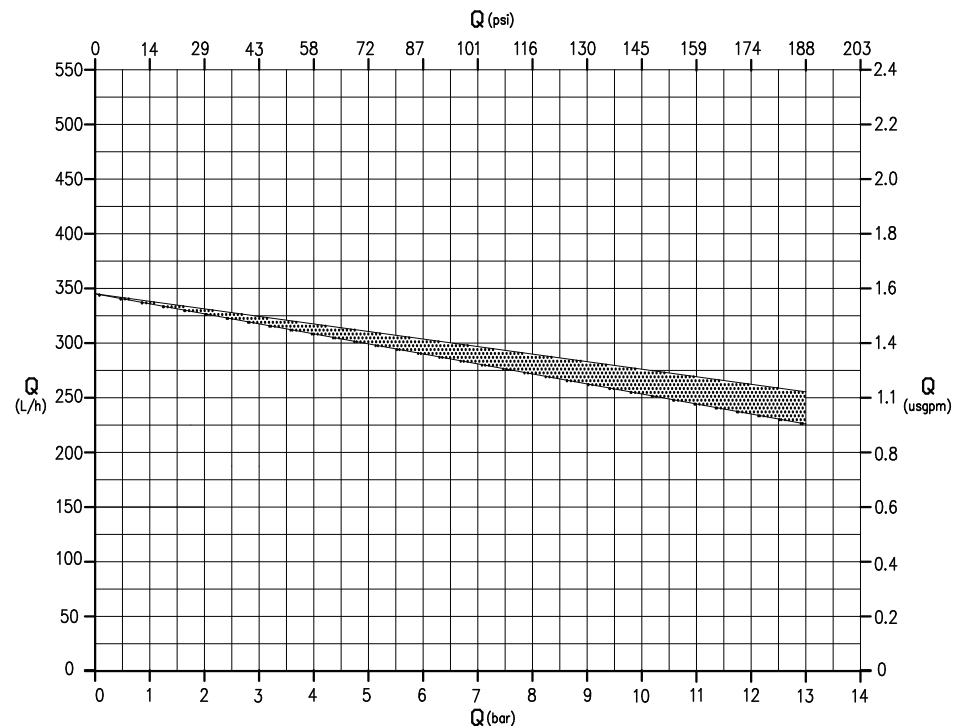
Materials available/Materiali disponibili:	AISI 316
Max flow/Portata massima:	350 L/h
Max head/Prevalenza massima:	13 bar
Max temperature/Temperatura massima:	150 °C
Max viscosity/Viscosità massima:	2000 cPs
Pressure rating/Pressione nominale massima:	NP/PN 25

SECTION AND PARTS LIST/SEZIONE E LISTA PARTI



POS.	1	2	3	4	5	6	7	8	9	10	11	12	13	14
PART DESCR.	SET SCREWS	END COVER	O-RING	FLANGES STATOR VANES+PINS	ROTOR SHAFT	PUMP BODY	O-RING	O-RING	INTERNAL MAGNET	REAR CASING	EXTERNAL MAGNET	BRACKET	SET SCREWS	SET SCREWS
MAT.	AISI304	AISI316	EPDM VITON	GRAPHITE	AISI316	AISI316	EPDM VITON	EPDM VITON	AISI316	AISI316	C40+NdFeb	ALUMINIUM	AISI304	AISI304

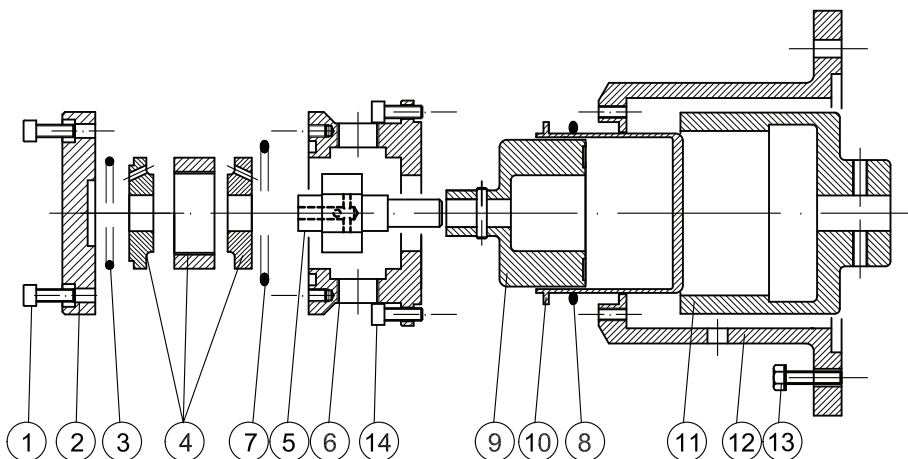
CURVES/CURVE 50HZ-1450 RPM



FEATURES/CARATTERISTICHE

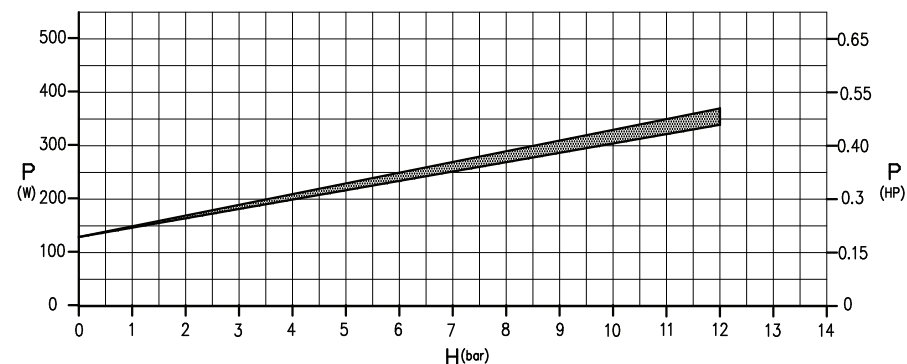
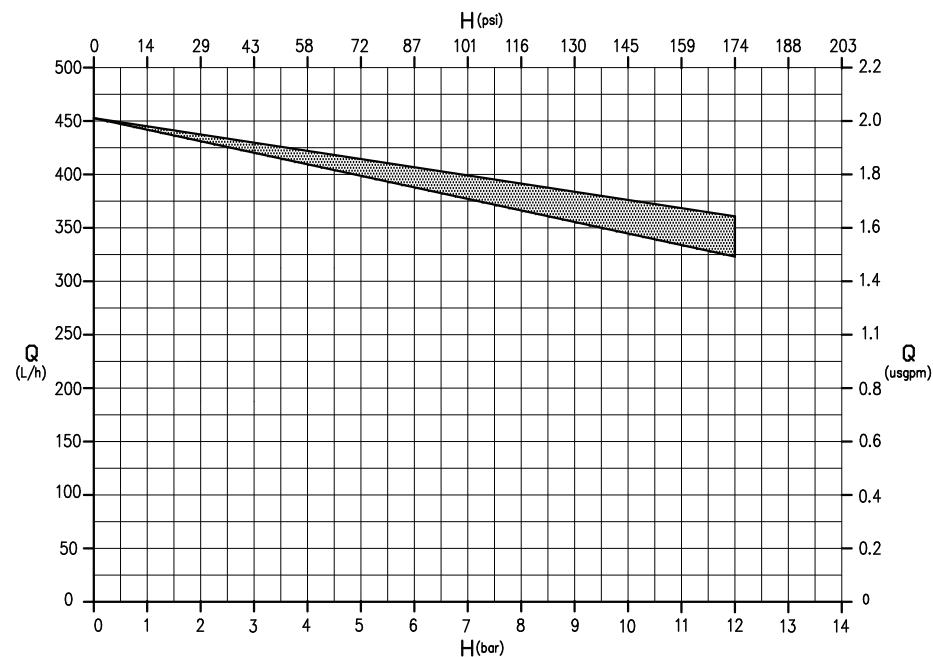
Materials available/Materiali disponibili:	AISI 316
Max flow/Portata massima:	450 L/h
Max head/Prevalenza massima:	12 bar
Max temperature/Temperatura massima:	150 °C
Max viscosity/Viscosità massima:	2000 cPs
Pressure rating/Pressione nominale massima:	NP/PN 25

SECTION AND PARTS LIST/SEZIONE E LISTA PARTI

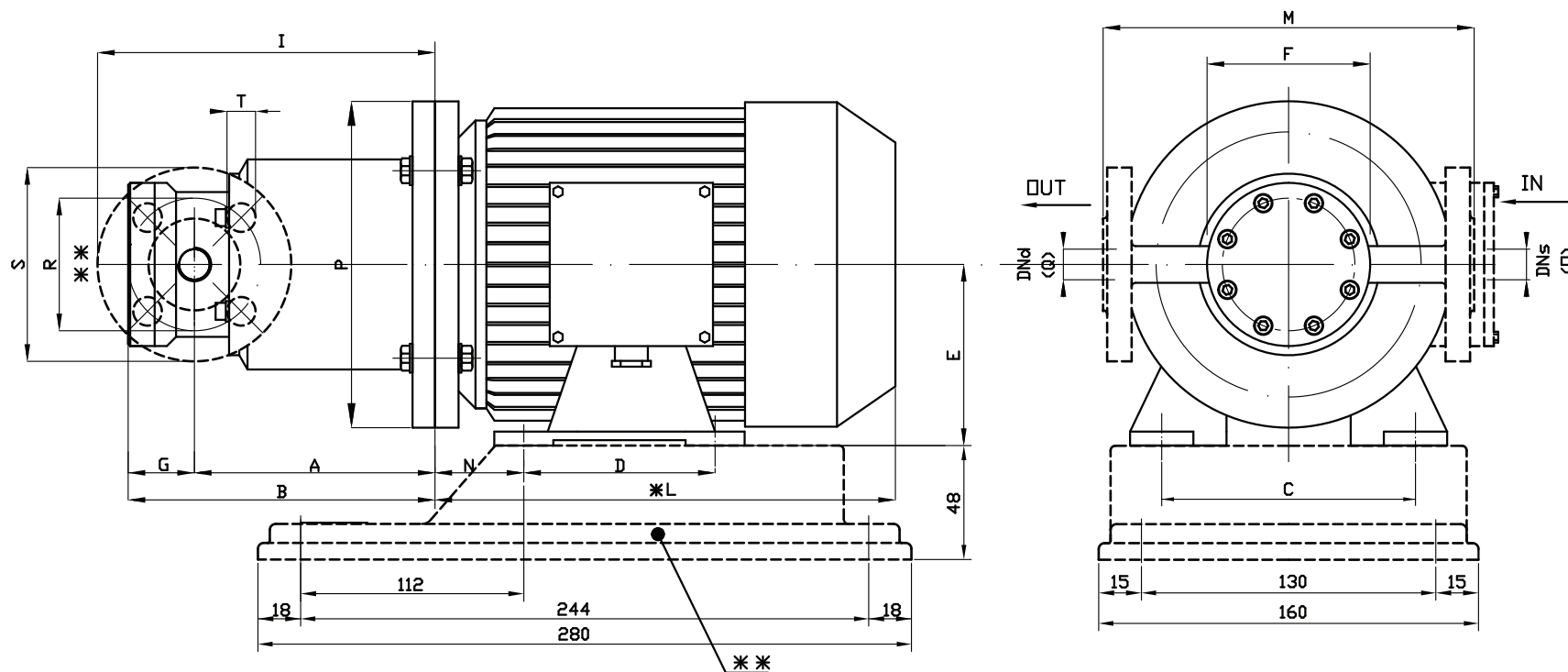


POS.	1	2	3	4	5	6	7	8	9	10	11	12	13	14
PART DESCR.	SET SCREWS	END COVER	O-RING	FLANGES STATOR VANES+PINS	ROTOR SHAFT	PUMP BODY	O-RING	O-RING	INTERNAL MAGNET	REAR CASING	EXTERNAL MAGNET	BRACKET	SET SCREWS	SET SCREWS
MAT.	AISI304	AISI316	EPDM VITON	GRAPHITE	AISI316	AISI316	EPDM VITON	EPDM VITON	AISI316	AISI316	C40+NdFeb	ALUMINIUM	AISI304	AISI304

CURVES/CURVE 50HZ-1450 RPM



DIMENSIONS/DIMENSIONI D'INGOMBRO



PUMP TYPE	MOTOR FLANGE B3-B5	POT. Kw	DIMENSIONS - mm -													** FLANGES DIMENSIONS-mm DN15 - PN 25					
			A	B	C	D	E	F	G	I	*L	M	N	(O)	P	(Q)	R	S	T	DNs	DNd
HTP 100-200-300-400 EM-P ... 1°R (ATEX)	G 71 4B	0.37	127	160	112	90	71	80	33	175	215	182	45	3/8"G.	160	3/8"G.	65	95	14	15	15

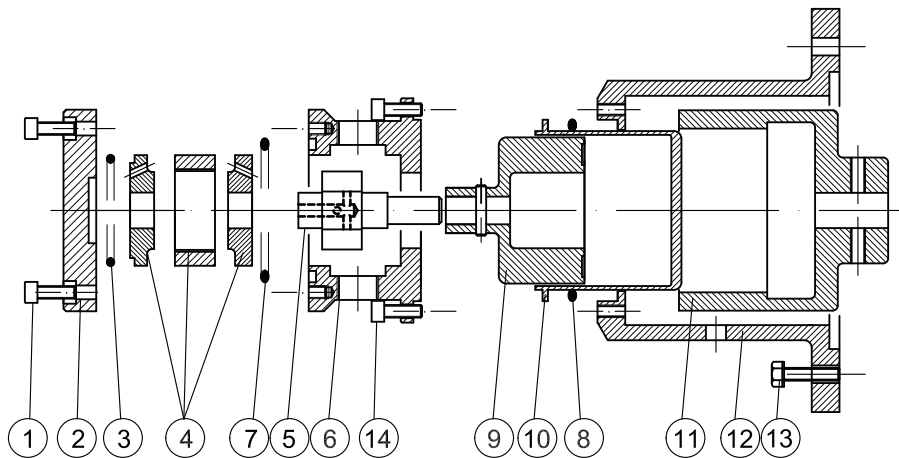
\* Different according to the manufacturer / Diverso a seconda del fornitore

\*\* OPTIONAL-UPON REQUEST/SU RICHIESTA: Baseplate/Piede d'appoggio - Flanges/Flange

FEATURES/CARATTERISTICHE

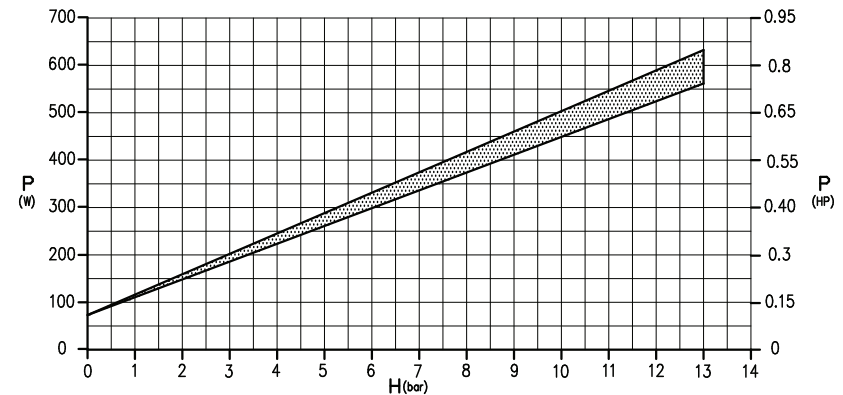
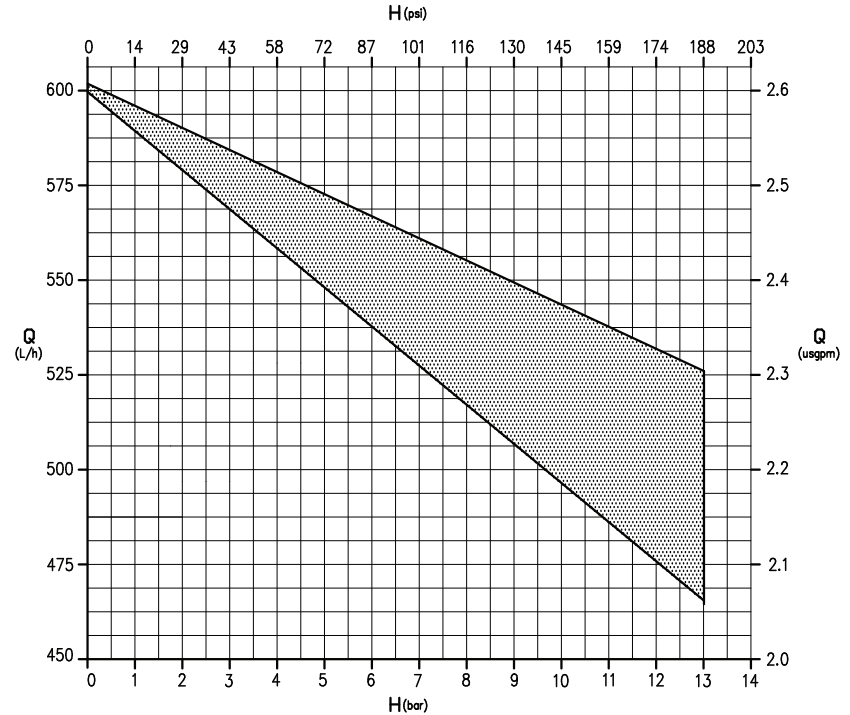
Materials available/Materiali disponibili: AISI 316  
 Max flow/Portata massima: 600 L/h  
 Max head/Prevalenza massima: 13 bar  
 Max temperature/Temperatura massima: 150 °C  
 Max viscosity/Viscosità massima: 2000 cPs  
 Pressure rating/Pressione nominale massima: NP/PN 25

SECTION AND PARTS LIST/SEZIONE E LISTA PARTI



POS.	1	2	3	4	5	6	7	8	9	10	11	12	13	14
PART DESCR.	SET SCREWS	END COVER	O-RING	FLANGES STATOR VANES+PINS	ROTOR SHAFT	PUMP BODY	O-RING	O-RING	INTERNAL MAGNET	REAR CASING	EXTERNAL MAGNET	BRACKET	SET SCREWS	SET SCREWS
MAT.	AISI304	AISI316	EPDM VITON	GRAPHITE	AISI316	AISI316	EPDM VITON	EPDM VITON	AISI316	AISI316	C40+NdFeb	ALUMINIUM	AISI304	AISI304

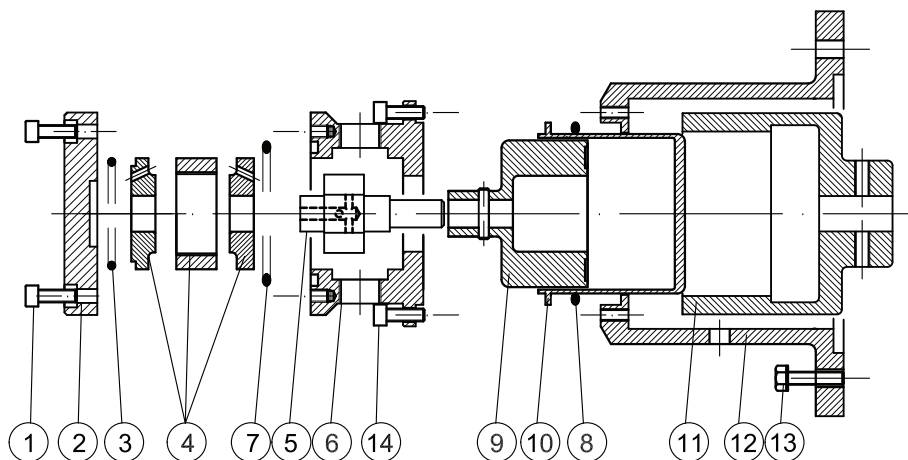
CURVES/CURVE 50HZ-1450 RPM



FEATURES/CARATTERISTICHE

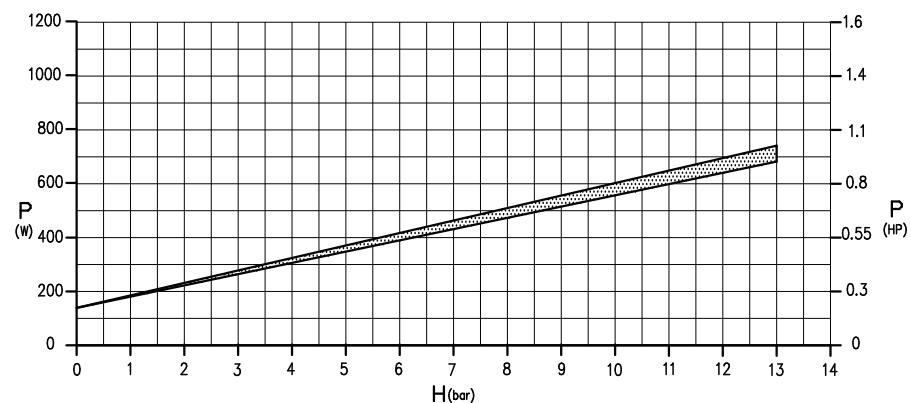
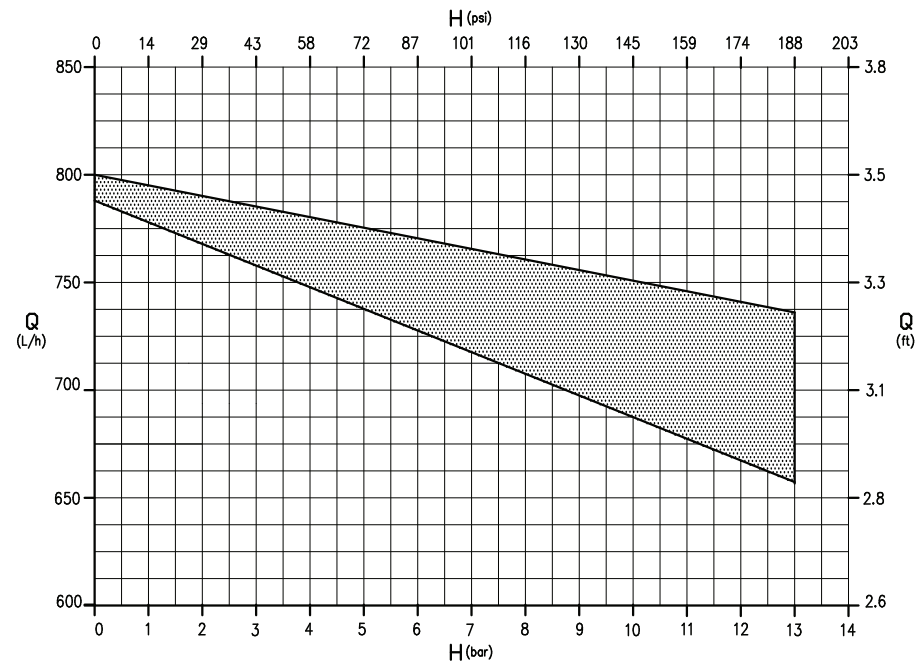
Materials available/Materiali disponibili:	AISI 316
Max flow/Portata massima:	800 L/h
Max head/Prevalenza massima:	13 bar
Max temperature/Temperatura massima:	150 °C
Max viscosity/Viscosità massima:	2000 cPs
Pressure rating/Pressione nominale massima:	NP/PN 25

SECTION AND PARTS LIST/SEZIONE E LISTA PARTI

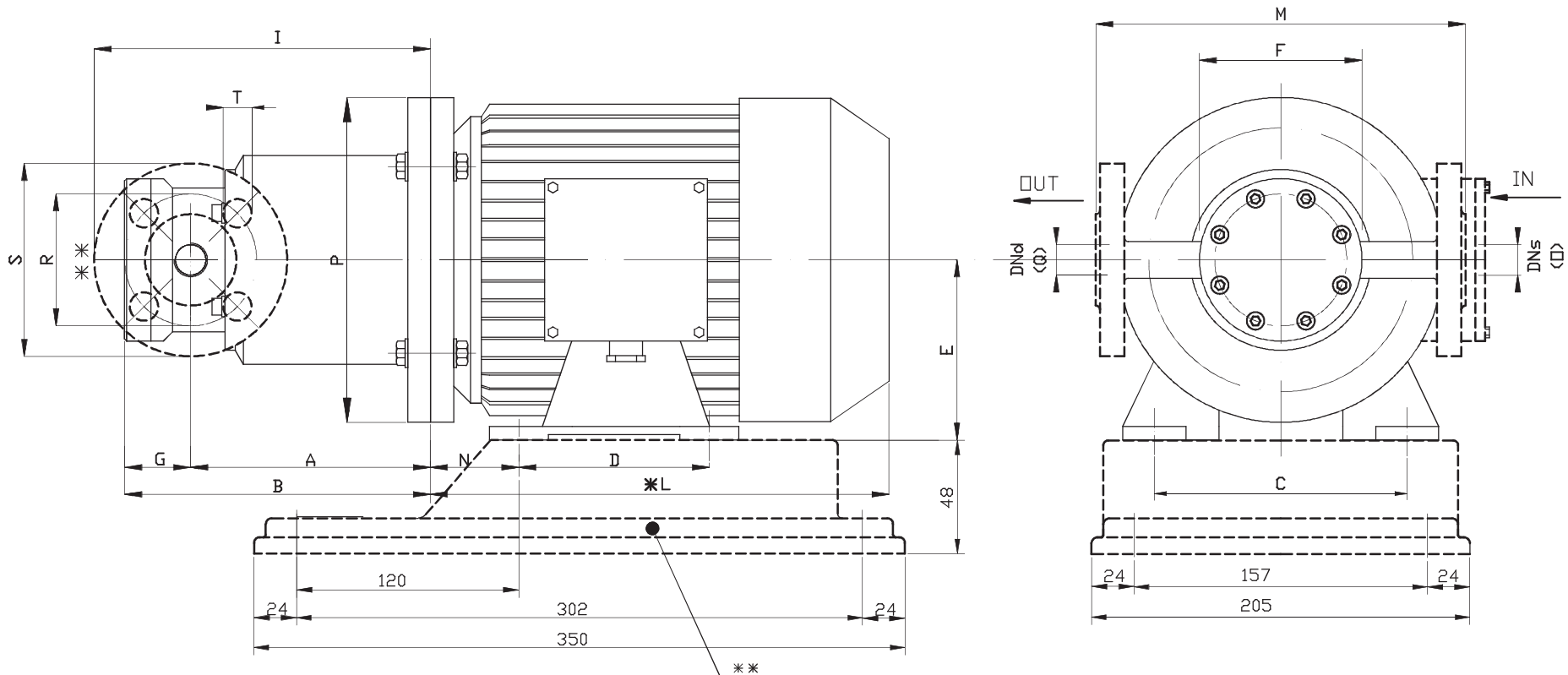


POS.	1	2	3	4	5	6	7	8	9	10	11	12	13	14
PART DESCR.	SET SCREWS	END COVER	O-RING	FLANGES STATOR VANES+PINS	ROTOR SHAFT	PUMP BODY	O-RING	O-RING	INTERNAL MAGNET	REAR CASING	EXTERNAL MAGNET	BRACKET	SET SCREWS	SET SCREWS
MAT.	AISI304	AISI316	EPDM VITON	GRAPHITE	AISI316	AISI316	EPDM VITON	EPDM VITON	AISI316	AISI316	C40+NdFeb	ALUMINIUM	AISI304	AISI304

CURVES/CURVE 50HZ-1450 RPM



DIMENSIONS/DIMENSIONI D'INGOMBRO



PUMP TYPE	MOTOR FLANGE B3-B5	POT. Kw	DIMENSIONS - mm -													** FLANGES DIMENSIONS-mm DN20 - PN 25					
			A	B	C	D	E	F	G	I	*L	M	N	(O)	P	(Q)	R	S	T	DNs	DNd
HTP 600-800 EM-P ... 2°R (ATEX)	G 80 4B	0.75	166	204	125	100	80	123	38	218	232	194	50	1/2"G.	200	1/2"G.	75	105	14	20	20

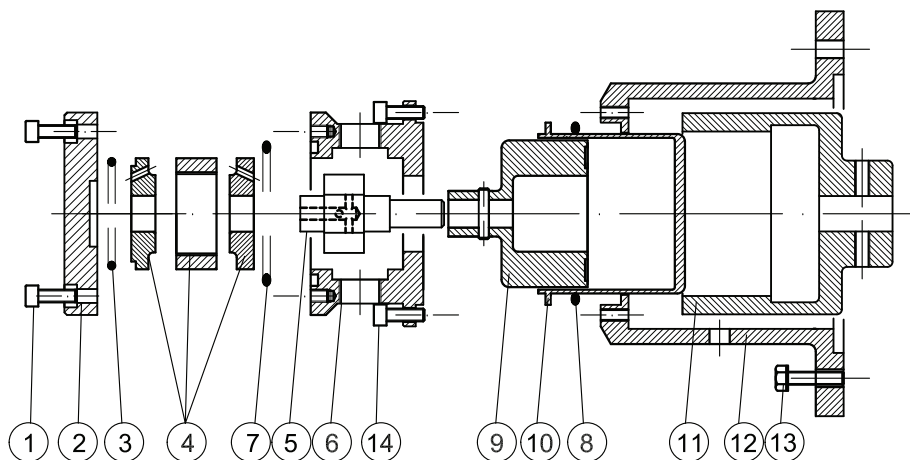
\* Different according to the manufacturer / Diverso a seconda del fornitore  
\*\* OPTIONAL-UPON REQUEST/SU RICHIESTA: Baseplate/Piede d'appoggio - Flanges/Flange



FEATURES/CARATTERISTICHE

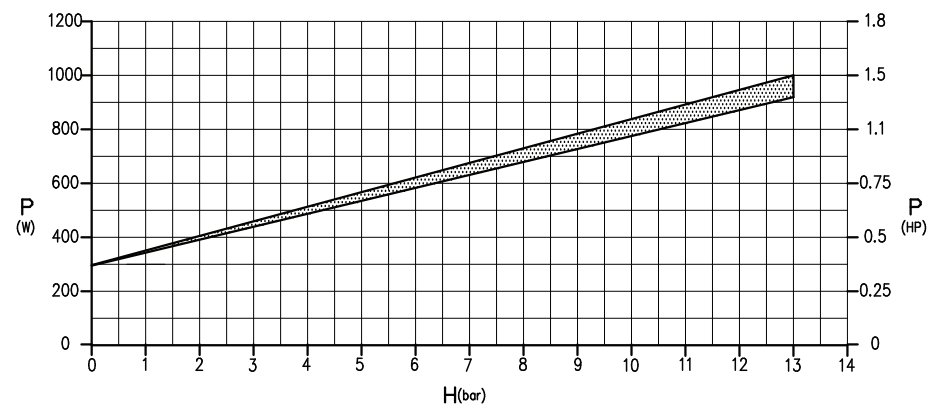
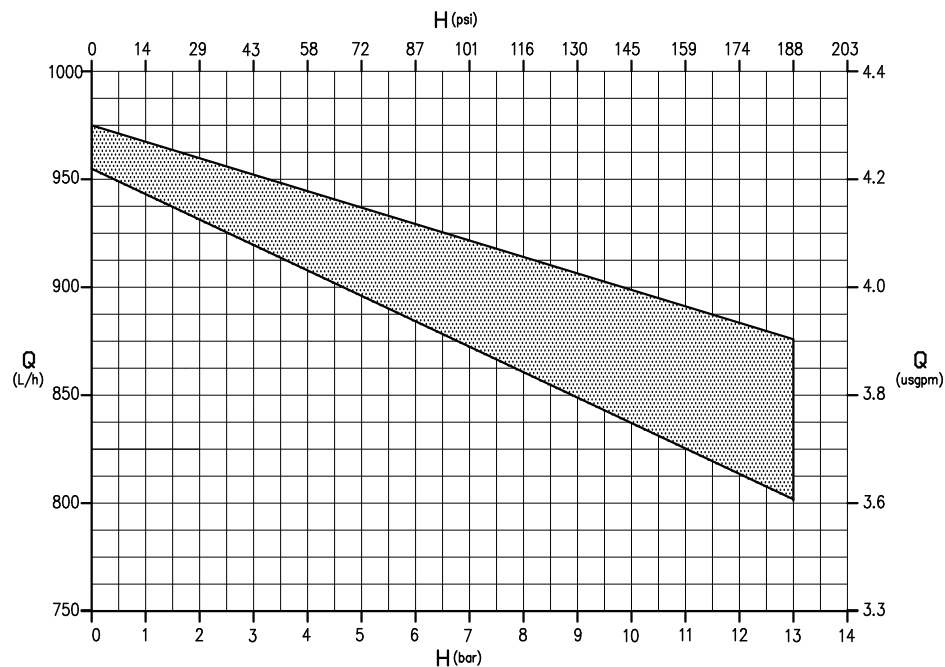
Materials available/Materiali disponibili:	AISI 316
Max flow/Portata massima:	980 L/h
Max head/Prevalenza massima:	13 bar
Max temperature/Temperatura massima:	150 °C
Max viscosity/Viscosità massima:	2000 cPs
Pressure rating/Pressione nominale massima:	NP/PN 25

SECTION AND PARTS LIST/SEZIONE E LISTA PARTI

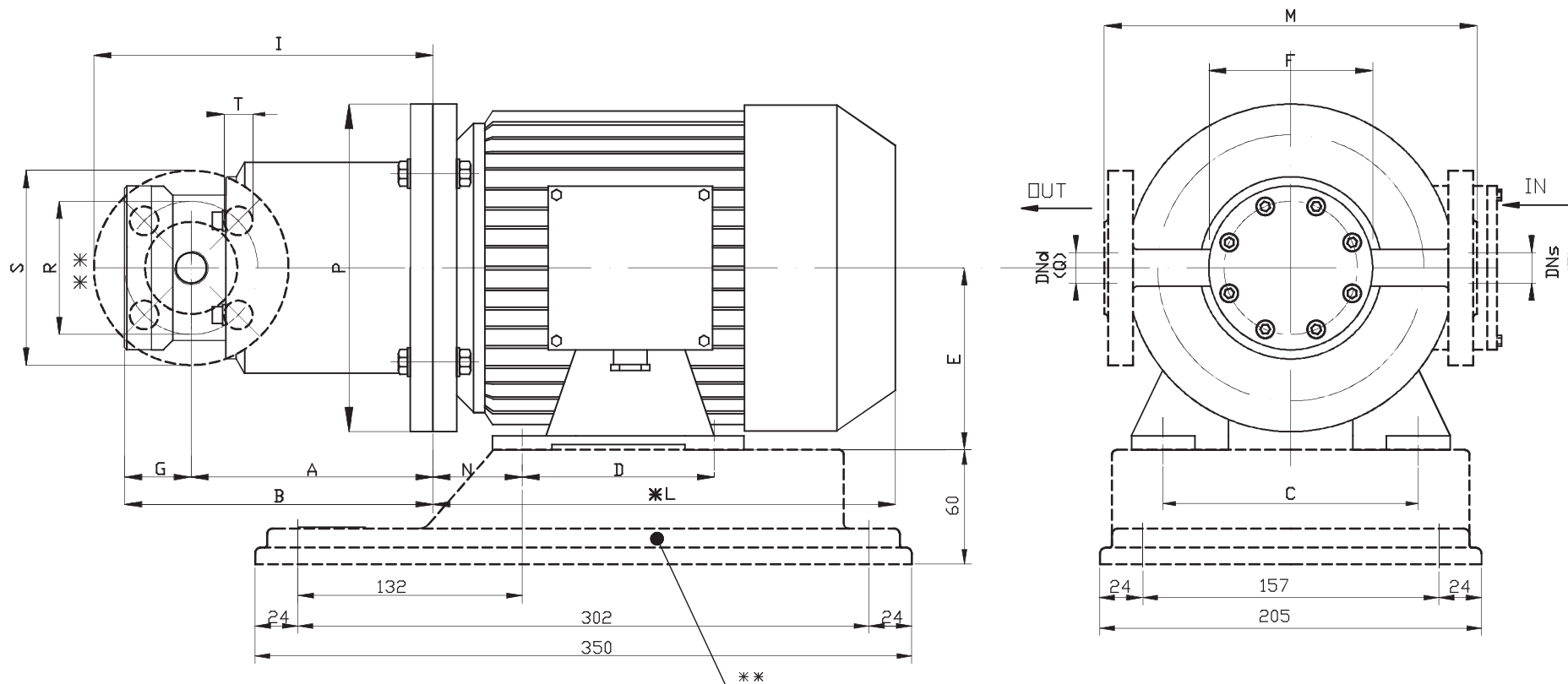


POS.	1	2	3	4	5	6	7	8	9	10	11	12	13	14
PART DESCR.	SET SCREWS	END COVER	O-RING	FLANGES STATOR VANES+PINS	ROTOR SHAFT	PUMP BODY	O-RING	O-RING	INTERNAL MAGNET	REAR CASING	EXTERNAL MAGNET	BRACKET	SET SCREWS	SET SCREWS
MAT.	AISI304	AISI316	EPDM VITON	GRAPHITE	AISI316	AISI316	EPDM VITON	EPDM VITON	AISI316	AISI316	C40+NdFeb	ALUMINIUM	AISI304	AISI304

CURVES/CURVE 50HZ-1450 RPM



DIMENSIONS/DIMENSIONI D'INGOMBRO



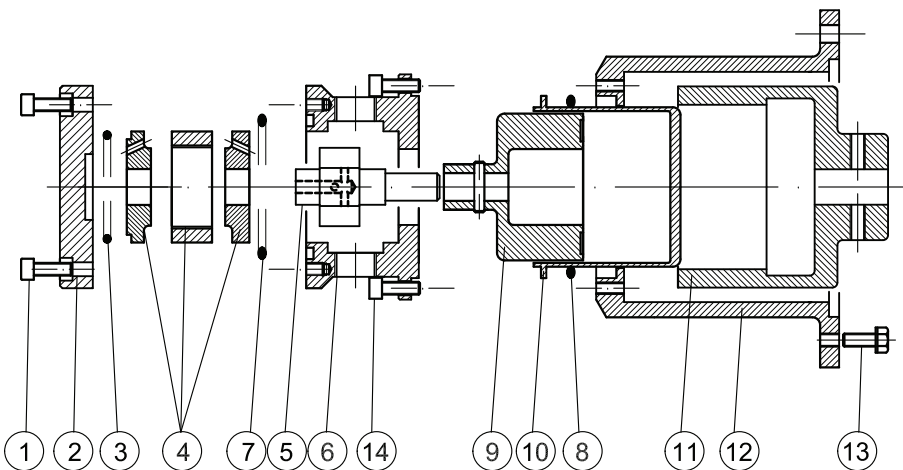
PUMP TYPE	MOTOR FLANGE B3-B5	POT. Kw	DIMENSIONS - mm -													** FLANGES DIMENSIONS-mm DN25 - PN 25					
			A	B	C	D	E	F	G	I	*L	M	N	(O)	P	(Q)	R	S	T	DNs	DNd
HTP 1000 2°R SS316 EM-P 1000 SS316 2°R (ATEX)	G 90 L4	1.5	176	214	140	100	90	123	38	218	280	194	56	1/2"G.	200	1/2"G.	75	105	14	25	25

\* Different according to the manufacturer / Diverso a seconda del fornitore  
\*\* OPTIONAL-UPON REQUEST/SU RICHIESTA: Baseplate/Piede d'appoggio - Flanges/Flange

FEATURES/CARATTERISTICHE

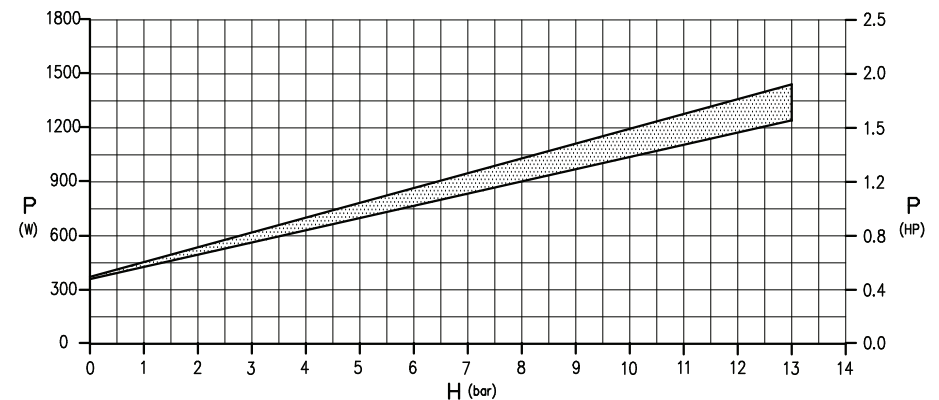
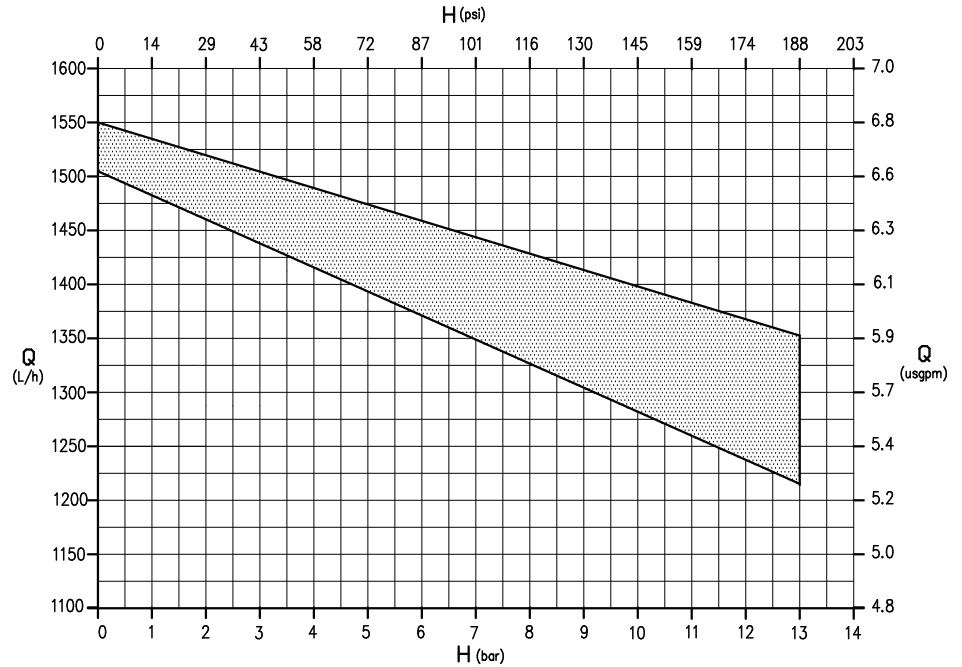
Materials available/Materiali disponibili: AISI 316  
 Max flow/Portata massima: 1500 L/h  
 Max head/Prevalenza massima: 13 bar  
 Max temperature/Temperatura massima: 150 °C  
 Max viscosity/Viscosità massima: 2000 cPs  
 Pressure rating/Pressione nominale massima: NP/PN 25

SECTION AND PARTS LIST/SEZIONE E LISTA PARTI



POS.	1	2	3	4	5	6	7	8	9	10	11	12	13	14
PART DESCR.	SET SCREWS	END COVER	O-RING	FLANGES STATOR VANES+PINS	ROTOR SHAFT	PUMP BODY	O-RING	O-RING	INTERNAL MAGNET	REAR CASING	EXTERNAL MAGNET	BRACKET	SET SCREWS	SET SCREWS
MAT.	AISI304	AISI316	EPDM VITON	GRAPHITE	AISI316	AISI316	EPDM VITON	EPDM VITON	AISI316	AISI316	C40+NdFeb	ALUMINIUM	AISI304	AISI304

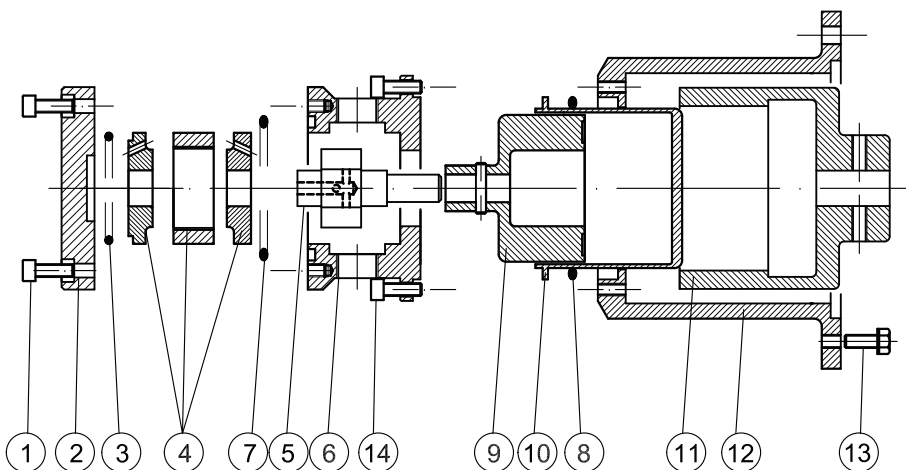
CURVES/CURVE 50HZ-1450 RPM



**FEATURES/CARATTERISTICHE**

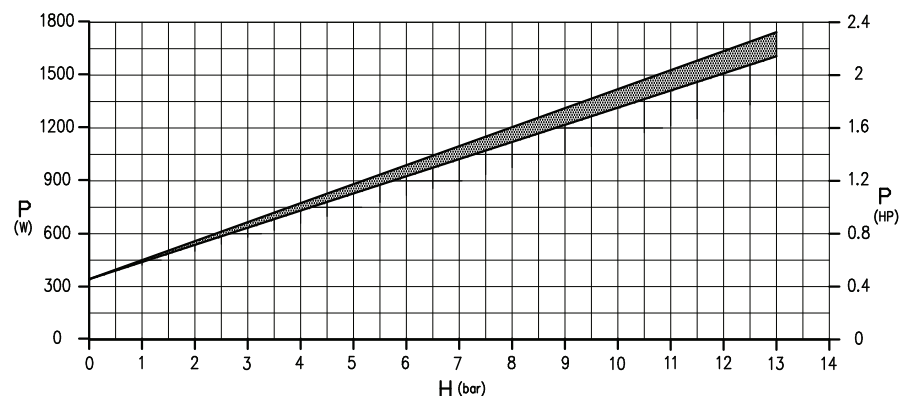
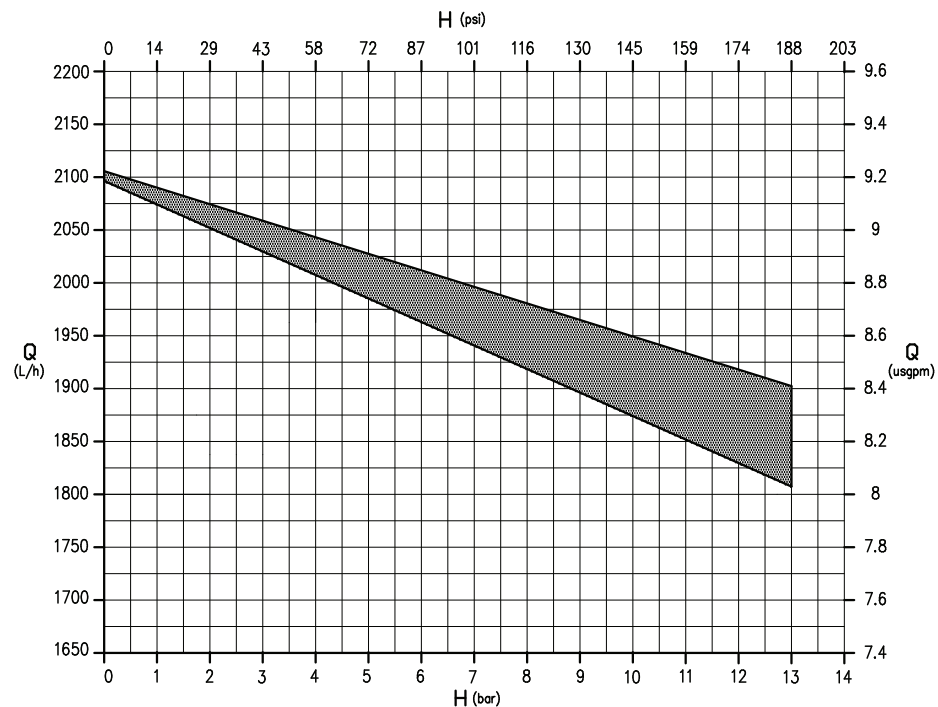
Materials available/Materiali disponibili:	AISI 316
Max flow/Portata massima:	2100 L/h
Max head/Prevalenza massima:	13 bar
Max temperature/Temperatura massima:	150 °C
Max viscosity/Viscosità massima:	2000 cPs
Pressure rating/Pressione nominale massima:	NP/PN 25

**SECTION AND PARTS LIST/SEZIONE E LISTA PARTI**



POS.	1	2	3	4	5	6	7	8	9	10	11	12	13	14
PART DESCR.	SET SCREWS	END COVER	O-RING	FLANGES STATOR VANES+PINS	ROTOR SHAFT	PUMP BODY	O-RING	O-RING	INTERNAL MAGNET	REAR CASING	EXTERNAL MAGNET	BRACKET	SET SCREWS	SET SCREWS
MAT.	AISI304	AISI316	EPDM VITON	GRAPHITE	AISI316	AISI316	EPDM VITON	EPDM VITON	AISI316	AISI316	C40+NdFeb	ALUMINIUM	AISI304	AISI304

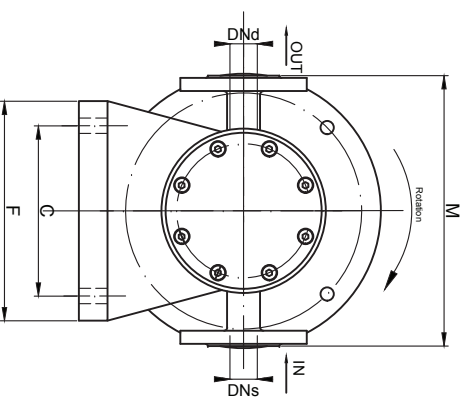
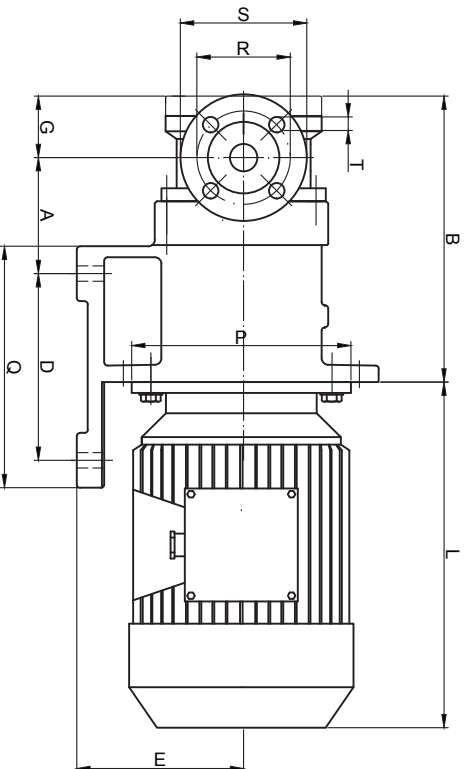
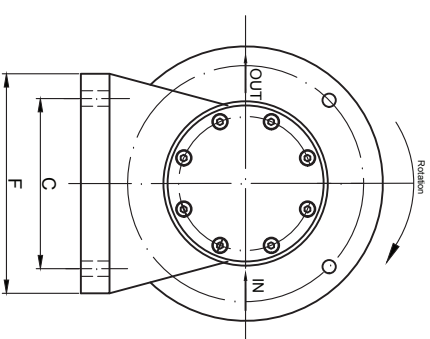
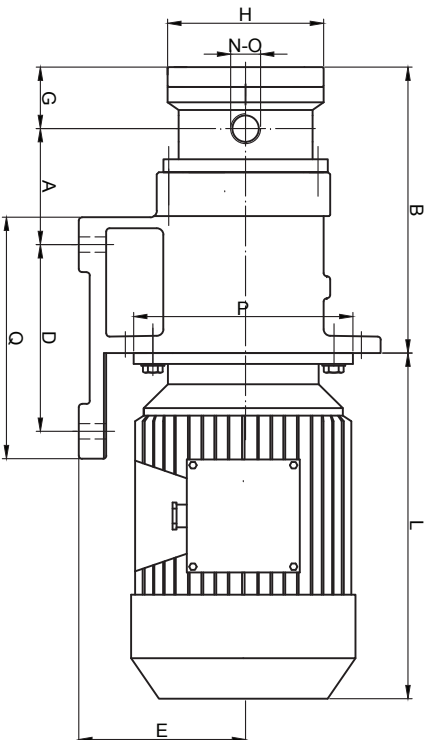
**CURVES/CURVE 50HZ-1450 RPM**



All data stated are an indication and are liable to change without notice / Tutti i dati sono indicativi e possono variare senza preavviso

HTP 3° RANGE SIZE 1500-2000

DIMENSIONI/ DIMENSIONI D'INGOMBRO



PUMP TYPE	FLANGES DIMENSIONS - mm -				
	R	S	T	DNS	DND
HTP 3° RANGE	85	115	14	25	25
					DN25 PN25

PUMP TYPE	MOTOR B5 4P	DIMENSIONS - mm -														
		SIZE	KW	A	B	C	D	E	F	G	H	~ L	M	N	O	P
HTP 3° RANGE	100L	1.5	106	260	155	170	150	200	56	142	280	246	3/4" G.	3/4" G.	200	220
		2.2	106	280	155	170	150	200	56	142	316	246	3/4" G.	3/4" G.	250	220
		3	106	280	155	170	150	200	56	142	334	246	3/4" G.	3/4" G.	250	220
	112M	4	106	280	155	170	150	200	56	142	334	246	3/4" G.	3/4" G.	250	220

9414-1

GEMMECOTTI S.r.l. - Via A. Volta, 85/A - 20816 Ceriano Laghetto (MB) ITALY

Tel. +39 02 9646.0406 Fax +39 02 9646.9114 - www.gemmecotti.com info@gemmecotti.com