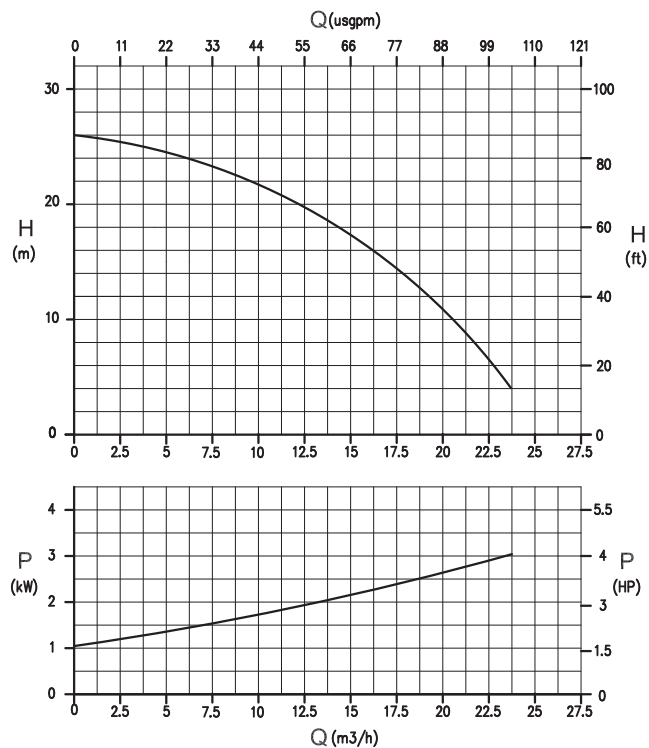


FEATURES/CARATTERISTICHE

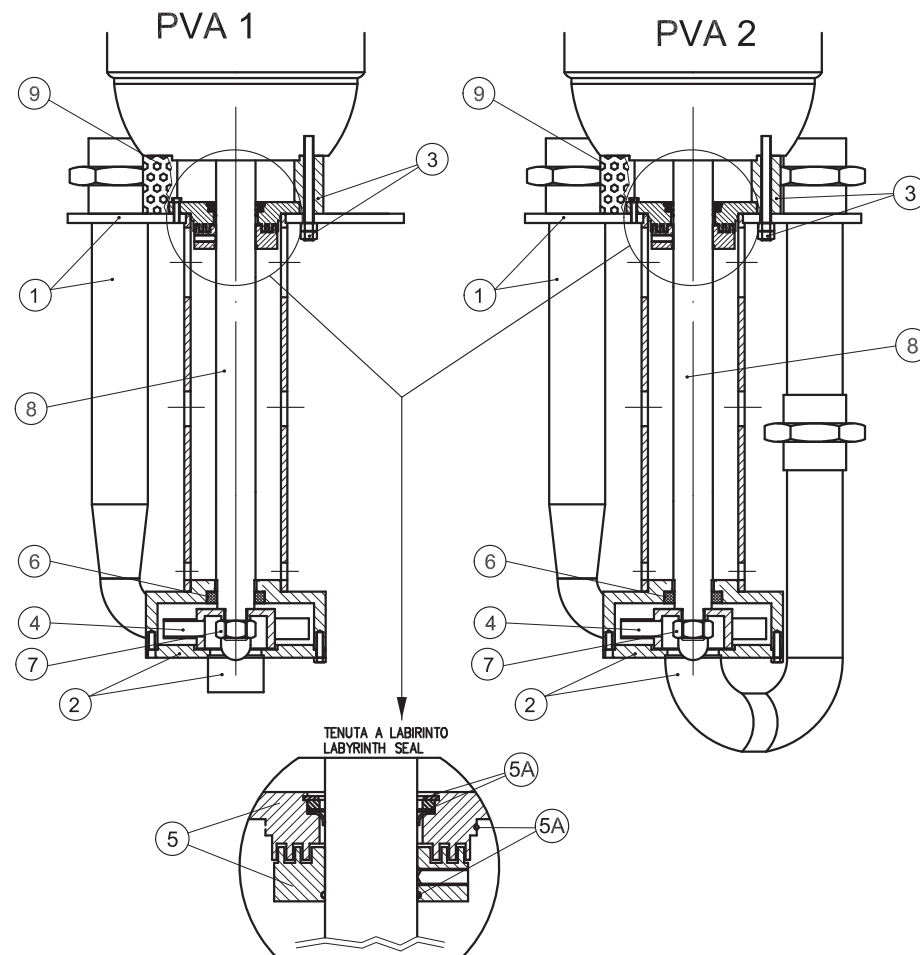
Materials available/Materiali disponibili:	ASTM 316/TITANIUM
Max flow/Portata massima:	24 m ³ /h
Max head/Prevalenza massima:	26 m
Max temperature/Temperatura massima:	90°C
Max viscosity/Viscosità massima:	200 cSt
Pressure rating/Pressione nominale massima:	NP/PN 10 @ 20°C

CURVES/CURVE 50HZ-2900 RPM



All data stated are an indication and are liable to change without notice / Tutti i dati sono indicativi e possono variare senza preavviso

SECTION AND PARTS LIST/SEZIONE E LISTA PARTI

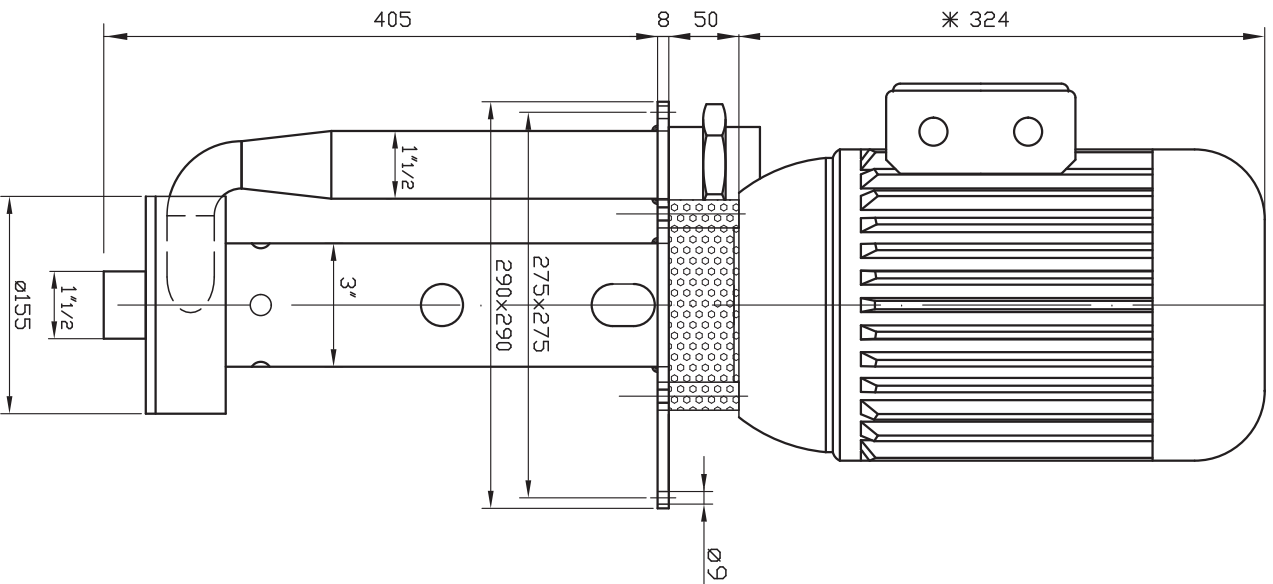


POS.	1	2	3	4	5	5A	6	7	8	9
PART DESCR.	PUMP COLUMN WITH PIPES	COVER WITH SUCTION PIPE	SUPPORT	IMPELLER	LABYRINTH SEAL	RINGS O-RINGS	BUSH	IMPELLER NUT	SHAFT	SHAFT GUARD
MAT.	ASTM 316	ASTM 316	ASTM 316	ASTM 316	ASTM 316	ASTM 316 VITON	TEFLON	ASTM 316	ASTM 316	ASTM 316

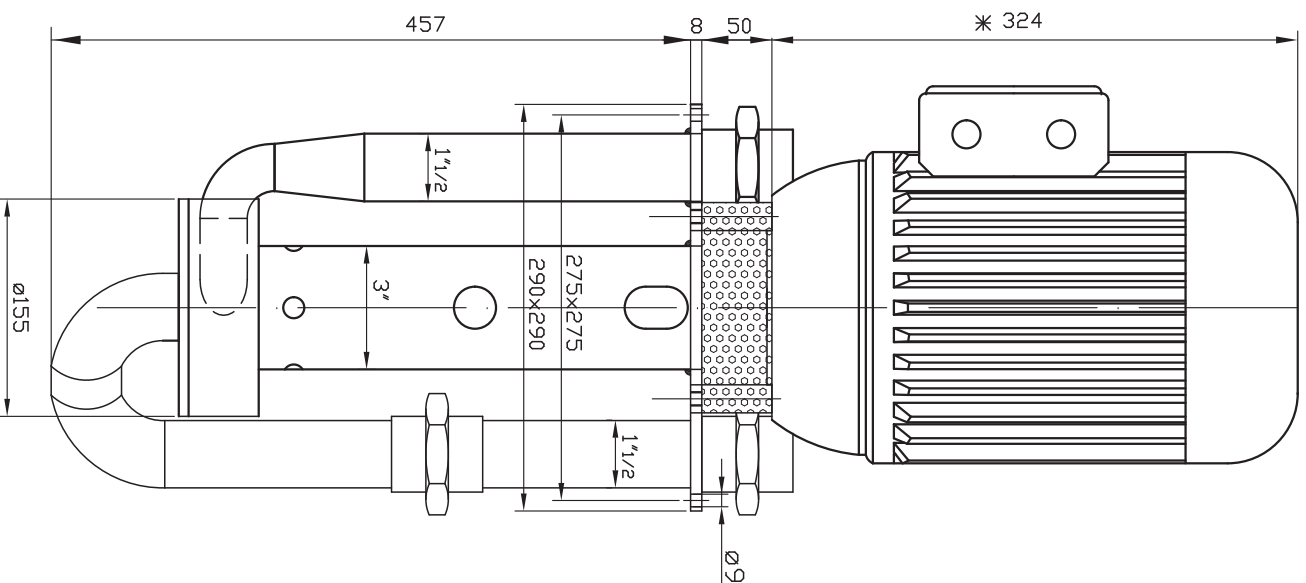
DIMENSIONS/DIMENSIONI D'INGOMBRO

MOTOR FLANGE B14 / G112 M2 kW4

PVA 1



PVA 2



* Different according to the manufacturer / Diverso a seconda del fornitore