

FEATURES/CARATTERISTICHE

Pump HV/Pompa HV: Vertical centrifugal monobloc
Verticale centrifuga monoblocco

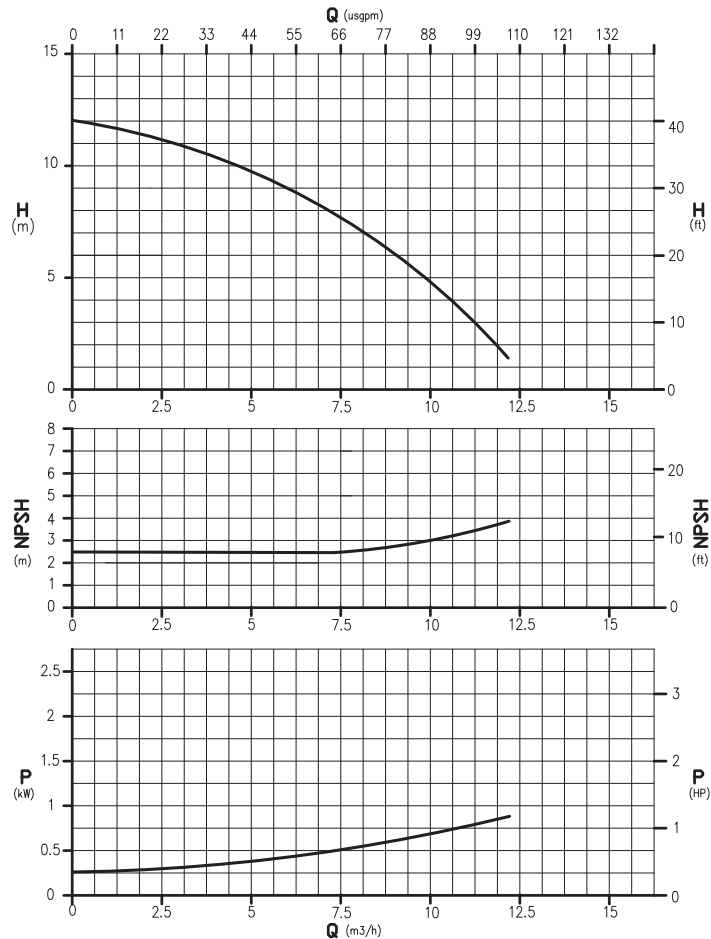
Materials available/Materiali disponibili: PP-PVDF

Max flow/Portata massima: 12 m³/h

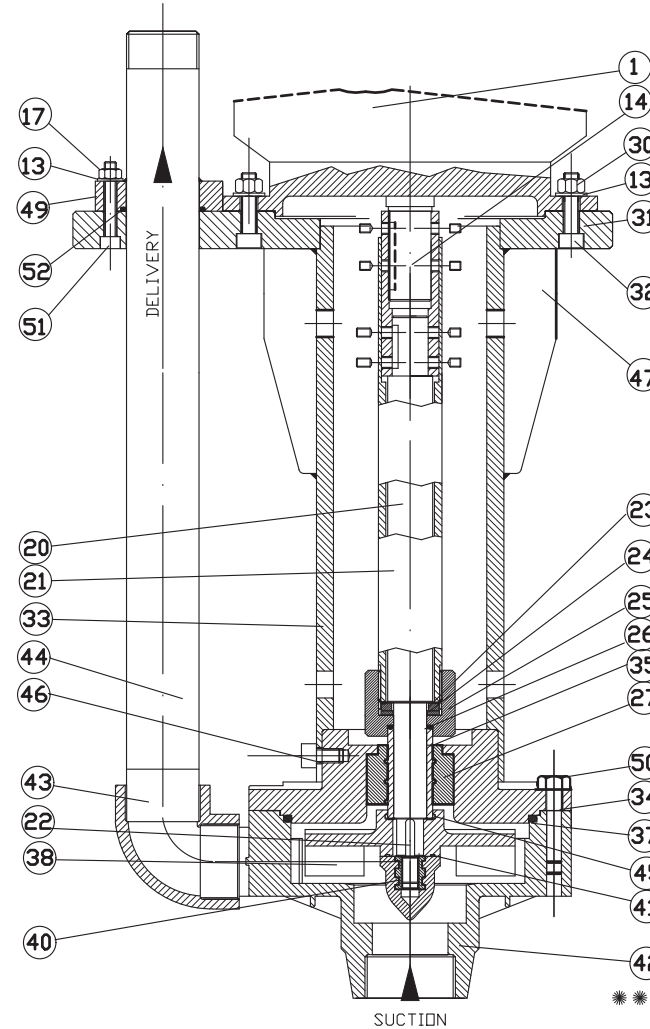
Max head/Prevalenza massima: 12m

Max temperature/Temperatura massima: PP 60°C/PVDF 90°C

CURVES/CURVE 50HZ-2900 RPM



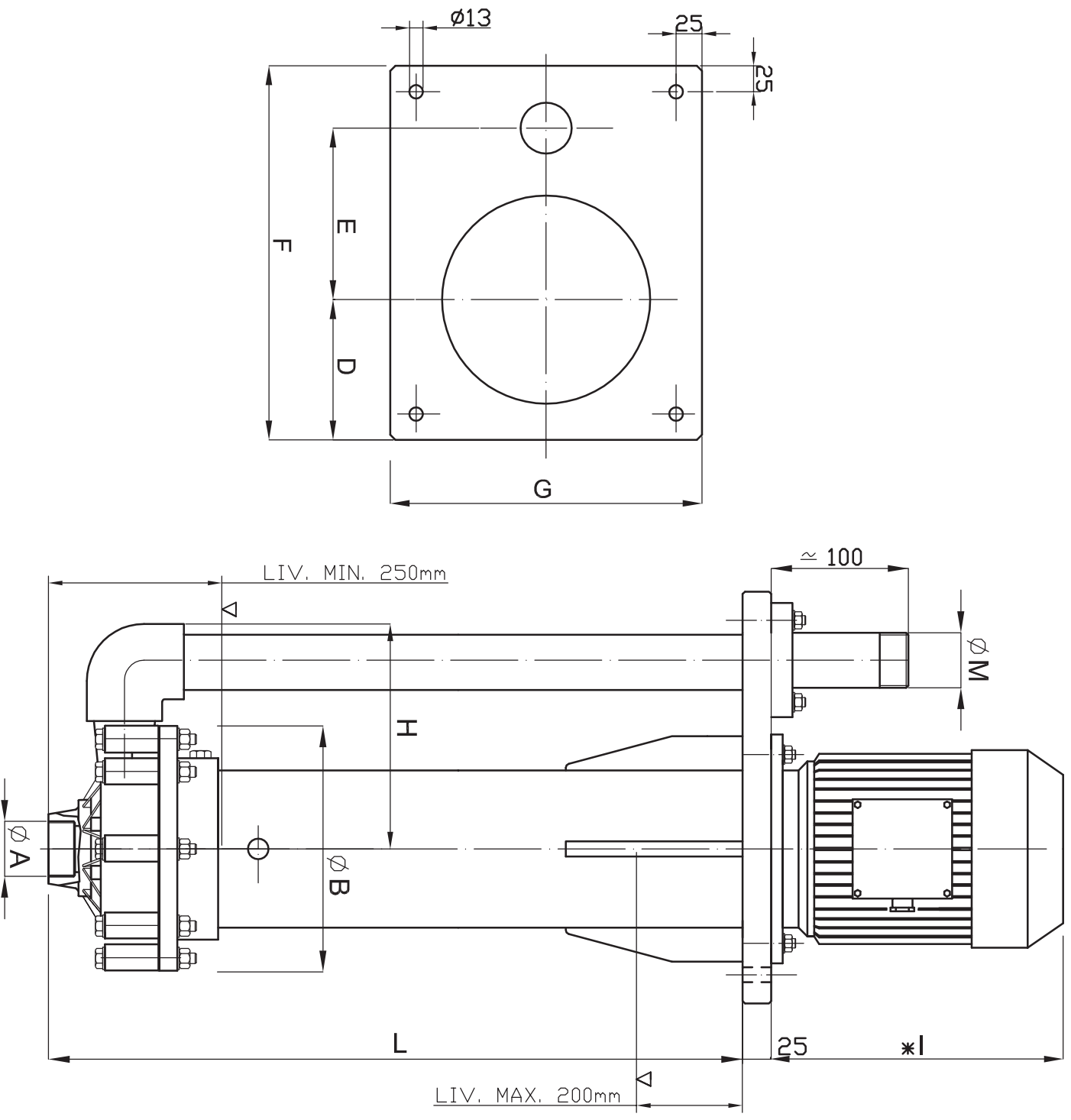
SECTION AND PARTS LIST/SEZIONE E LISTA PARTI



PDS	DESCR.	MAT.
1	Motor	
13	Washer	AISI304
14	Motor-Pump Joint	AISI304-316
17	Nut	AISI304
20	Shaft	C40
21	Shaft covering	PP
22	Key	AISI304
23	Washer	AISI304
24	Washer	AISI304
25	Guide shaft cov.	PP
26	O-ring	EPDM/ITON
27	Bushing	PTFEC
30	Nut	AISI304
31	Plate	PP
32	Screw	AISI304
33	Column	PP
34	Cover	PP/PVDF
35	Wear bushing	A1203
37	O-ring	EPDM/ITON
38	Impeller	PP/PVDF
*40	Nut	PP/PVDF
41	O-ring	EPDM/ITON
42	Pump head	PP/PVDF
43	Elbow	PP/PVDF
44	Flow pipe	PP/PVDF
45	O-ring	EPDM/ITON
46	Screw	PVDF
47	Reinforced wing	PP
49	Flange	PP
50	Screw	PVC
51	Screw	AISI304
52	O-ring	EPDM/ITON

* NUT WITH SS INSERT COVERED WITH PP/PVDF

DIMENSIONS/DIMENSIONI D'INGOMBRO



PUMP TYPE	MOTOR FLANGE B5	POT. Kw	DIMENSIONS - mm -							L		
			ϕA	ϕM	ϕB	D	E	F	G		H	*I
HV 95	G 80 2A	0.75	2" FEMALE	1 1/2" MALE	215	135	165	360	300	196	215	A RICHIESTA DA 500 A 1000mm ON REQUEST FROM 500 TO 1000mm

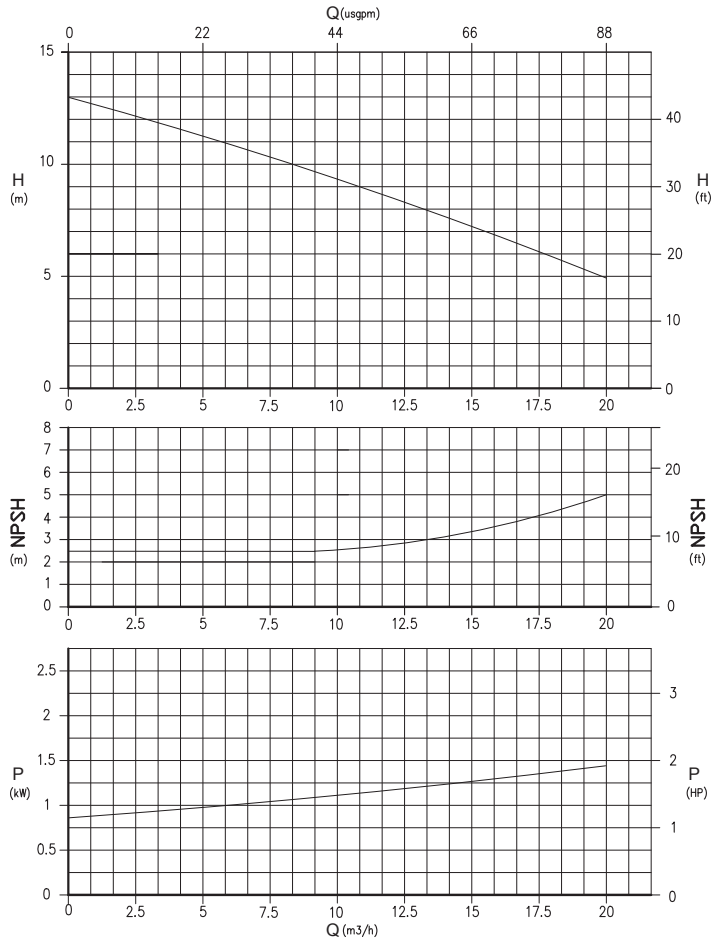
* Different according to the manufacturer / Diverso a seconda del fornitore

FEATURES/CARATTERISTICHE

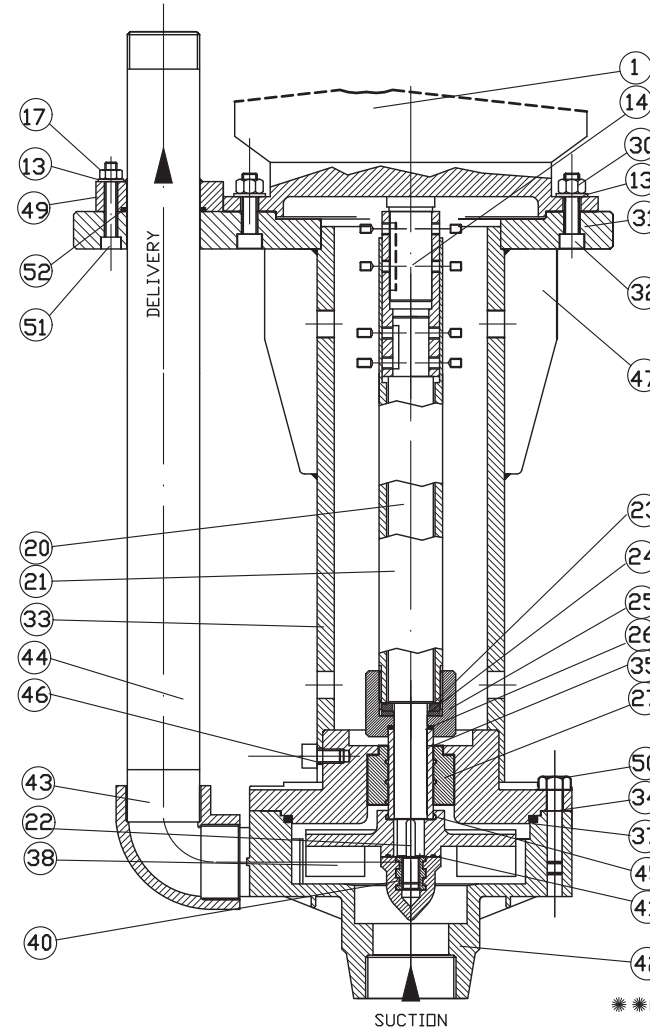
Pump HV/Pompa HV: Vertical centrifugal monobloc
Verticale centrifuga monoblocco

Materials available/Materiali disponibili: PP-PVDF
Max flow/Portata massima: 20 m³/h
Max head/Prevalenza massima: 13 m
Max temperature/Temperatura massima: PP 60°C/PVDF 90°C

CURVES/CURVE 50HZ-2900 RPM



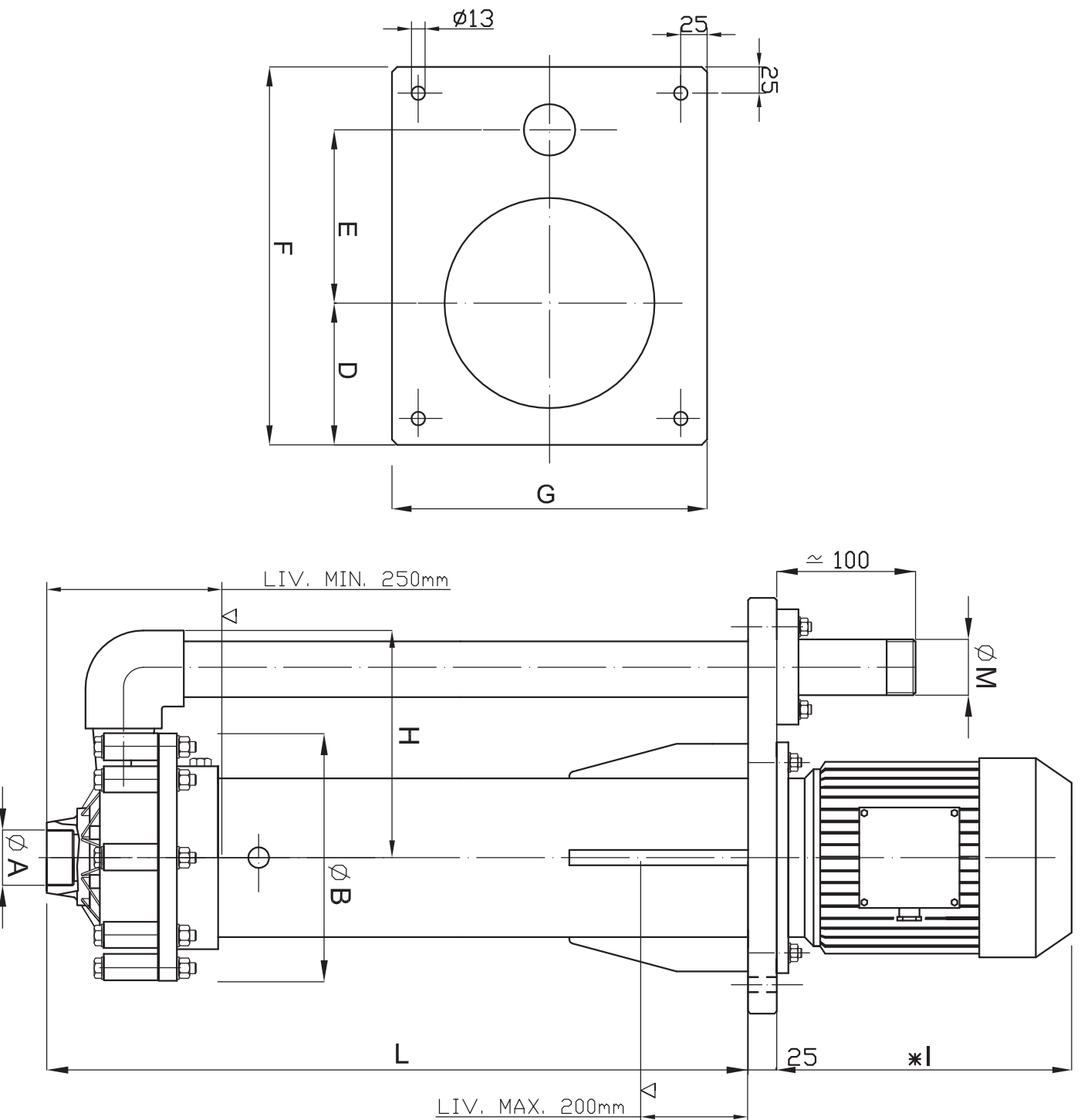
SECTION AND PARTS LIST/SEZIONE E LISTA PARTI



POS	DESCR.	MAT.
1	Motor	
13	Washer	AISI304
14	Motor-Pump Joint	AISI304-316
17	Nut	AISI304
20	Shaft	C40
21	Shaft covering	PP
22	Key	AISI304
23	Washer	AISI304
24	Washer	AISI304
25	Guide shaft cov.	PP
26	O-ring	EPDM/VITON
27	Bushing	PTFEC
30	Nut	AISI304
31	Plate	PP
32	Screw	AISI304
33	Column	PP
34	Cover	PP/PVDF
35	Wear bushing	Al203
37	O-ring	EPDM/VITON
38	Impeller	PP/PVDF
40	Nut	PP-PVDF
41	O-ring	EPDM/VITON
42	Pump head	PP/PVDF
43	Elbow	PP/PVDF
44	Flow pipe	PP/PVDF
45	O-ring	EPDM/VITON
46	Screw	PVDF
47	Reinforced wing	PP
49	Flange	PP
50	Screw	PVC
51	Screw	AISI304
52	O-ring	EPDM/VITON

***NUT WITH SS INSERT COVERED WITH PP/PVDF

DIMENSIONS/DIMENSIONI D'INGOMBRO



PUMP TYPE	MOTOR FLANGE B5	POT. Kw	DIMENSIONS - mm -							L		
			Ø A	Ø M	Ø B	D	E	F	G		H	* I
HV 110	G 80 2B	1.1	2" FEMALE	1 1/2" MALE	215	135	165	360	300	196	230	DA 500 A 1000mm ON REQUEST FROM 500 TO 1000mm

* Different according to the manufacturer / Diverso a seconda del fornitore

FEATURES/CARATTERISTICHE

Pump HV/Pompa HV: Vertical centrifugal monobloc
 Verticale centrifuga monoblocco

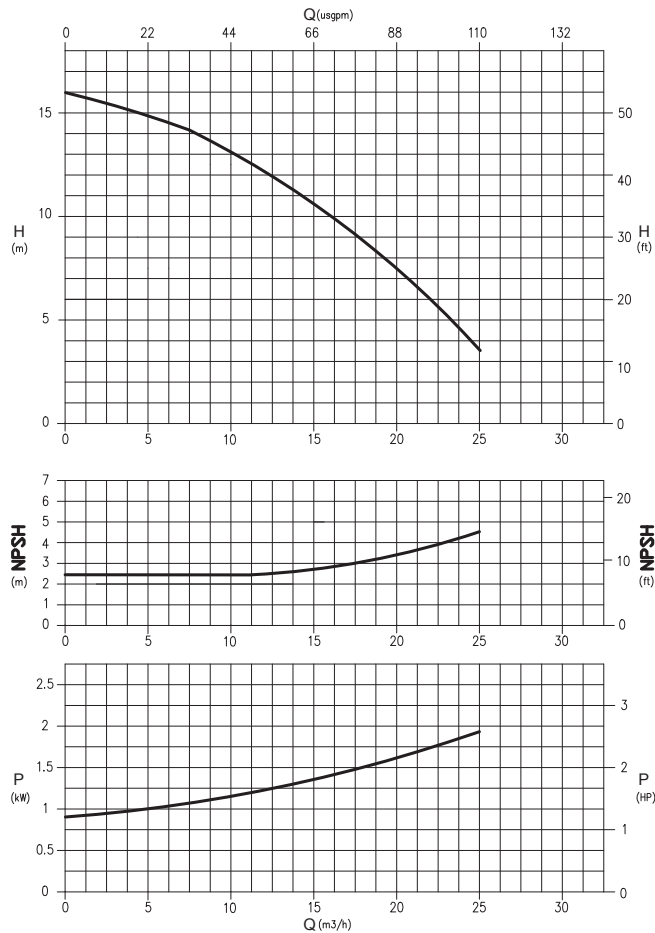
Materials available/Materiali disponibili: PP-PVDF

Max flow/Portata massima: 25 m³/h

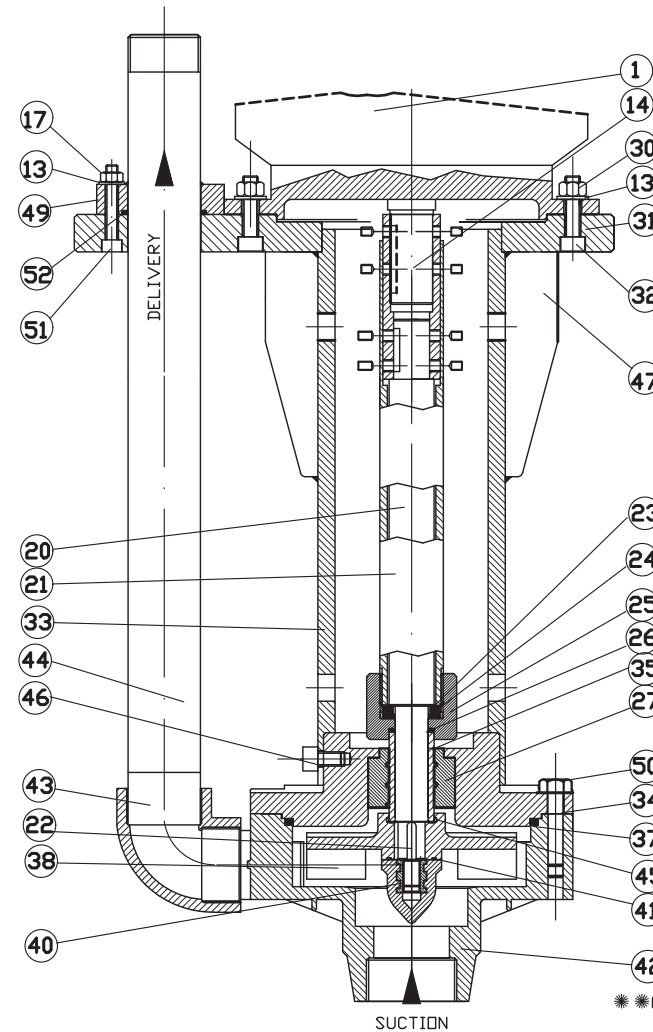
Max head/Prevalenza massima: 16 m

Max temperature/Temperatura massima: PP 60°C/PVDF 90°C

CURVES/CURVE 50HZ-2900 RPM



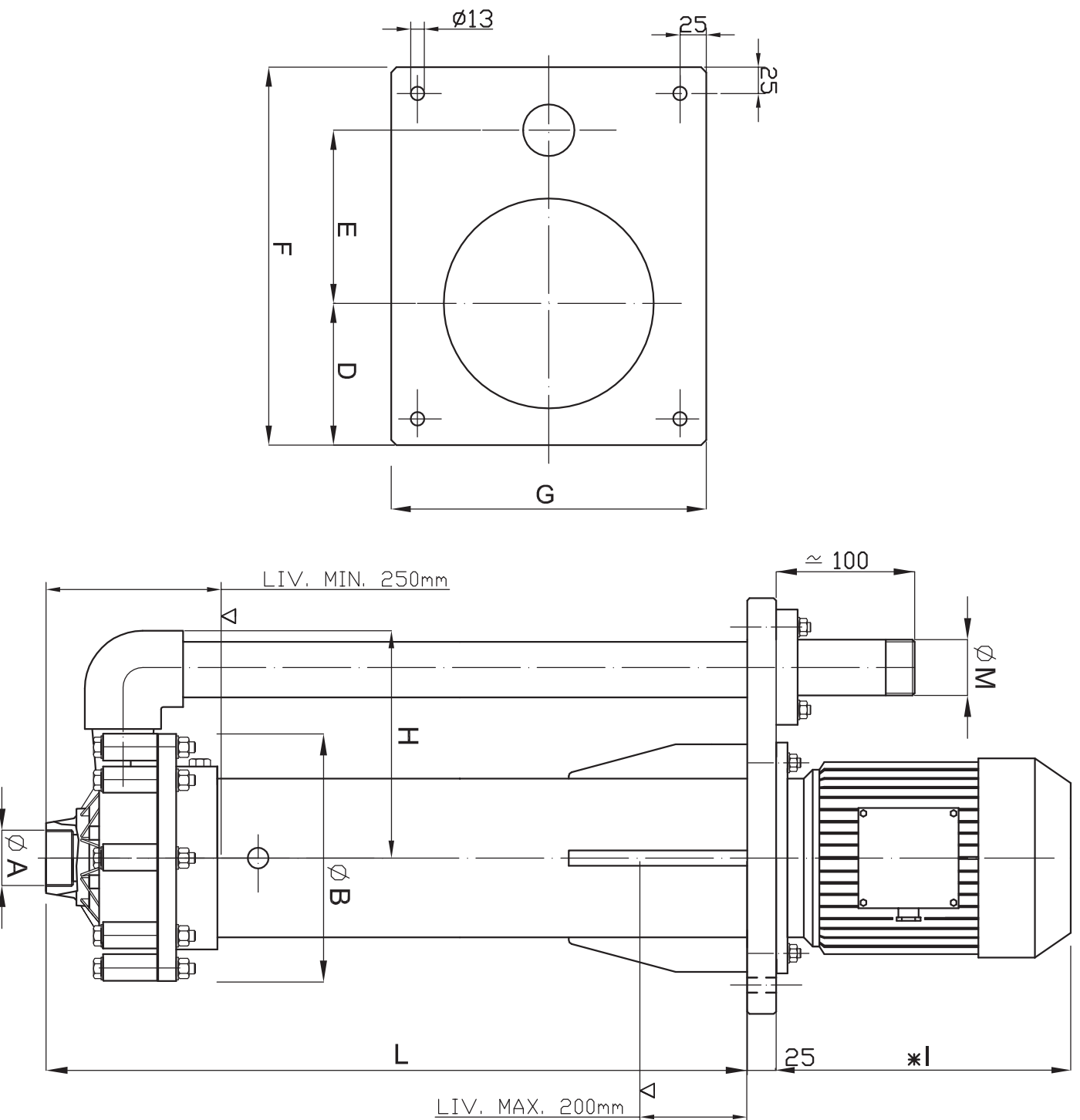
SECTION AND PARTS LIST/SEZIONE E LISTA PARTI



POS	DESCR.	MAT.
1	Motor	
13	Washer	AISI304
14	Motor-Pump Joint	AISI304-316
17	Nut	AISI304
20	Shaft	C40
21	Shaft covering	PP
22	Key	AISI304
23	Washer	AISI304
24	Washer	AISI304
25	Guide shaft cov.	PP
26	O-ring	EPDM/VITON
27	Bushing	PTFEC
30	Nut	AISI304
31	Plate	PP
32	Screw	AISI304
33	Column	PP
34	Cover	PP/PVDF
35	Wear bushing	Al203
37	O-ring	EPDM/VITON
38	Impeller	PP/PVDF
40	Nut	PP/PVDF
41	O-ring	EPDM/VITON
42	Pump head	PP/PVDF
43	Elbow	PP/PVDF
44	Flow pipe	PP/PVDF
45	O-ring	EPDM/VITON
46	Screw	PVDF
47	Reinforced wing	PP
49	Flange	PP
50	Screw	PVC
51	Screw	AISI304
52	O-ring	EPDM/VITON

***NUT WITH SS INSERT COVERED WITH PP/PVDF

DIMENSIONS/DIMENSIONI D'INGOMBRO



PUMP TYPE	MOTOR FLANGE B5	POT. Kw	DIMENSIONS - mm -							L		
			Ø A	Ø M	Ø B	D	E	F	G		H	* I
HV 120	G 90 S	1.5	2" FEMALE	1 1/2" MALE	215	135	165	360	300	196	255	A RICHIESTA DA 500 A 1000mm ON REQUEST FROM 500 TO 1000mm

* Different according to the manufacturer / Diverso a seconda del fornitore

FEATURES/CARATTERISTICHE

Pump HV/Pompa HV: Vertical centrifugal monobloc
 Verticale centrifuga monoblocco

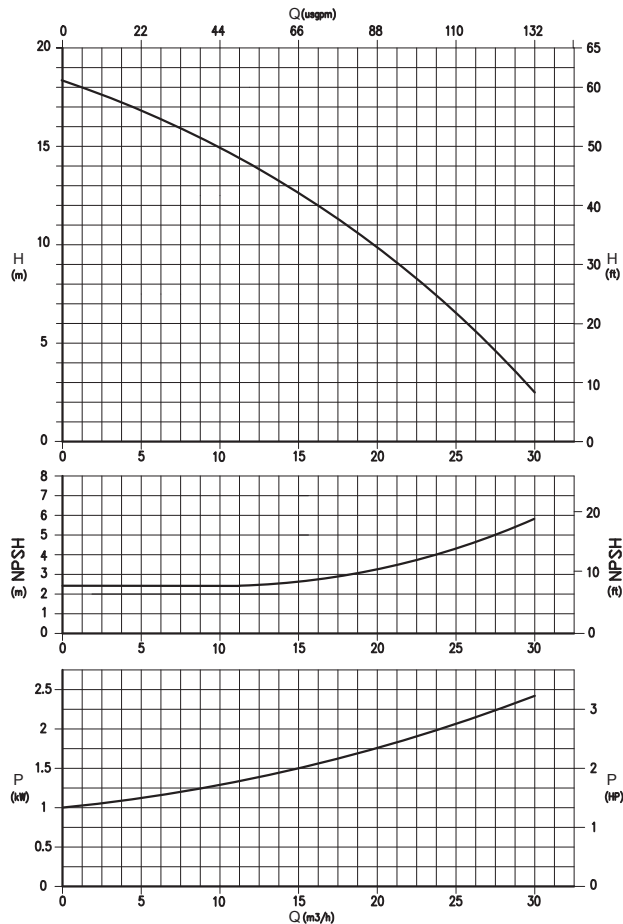
Materials available/Materiali disponibili: PP-PVDF

Max flow/Portata massima: 30 m³/h

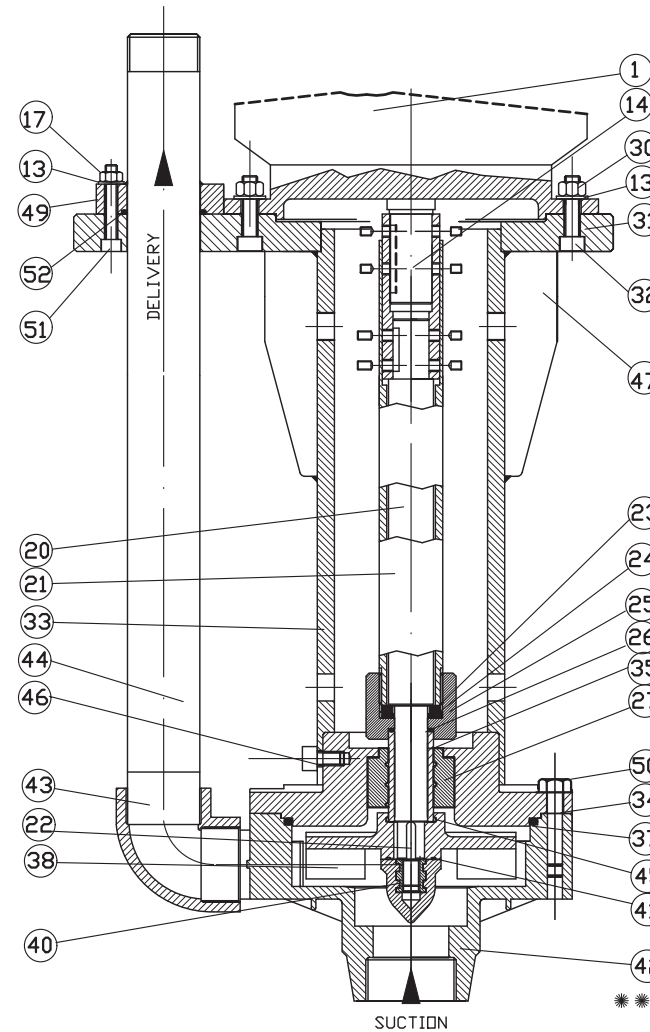
Max head/Prevalenza massima: 18 m

Max temperature/Temperatura massima: PP 60°C/PVDF 90°C

CURVES/CURVE 50HZ-2900 RPM



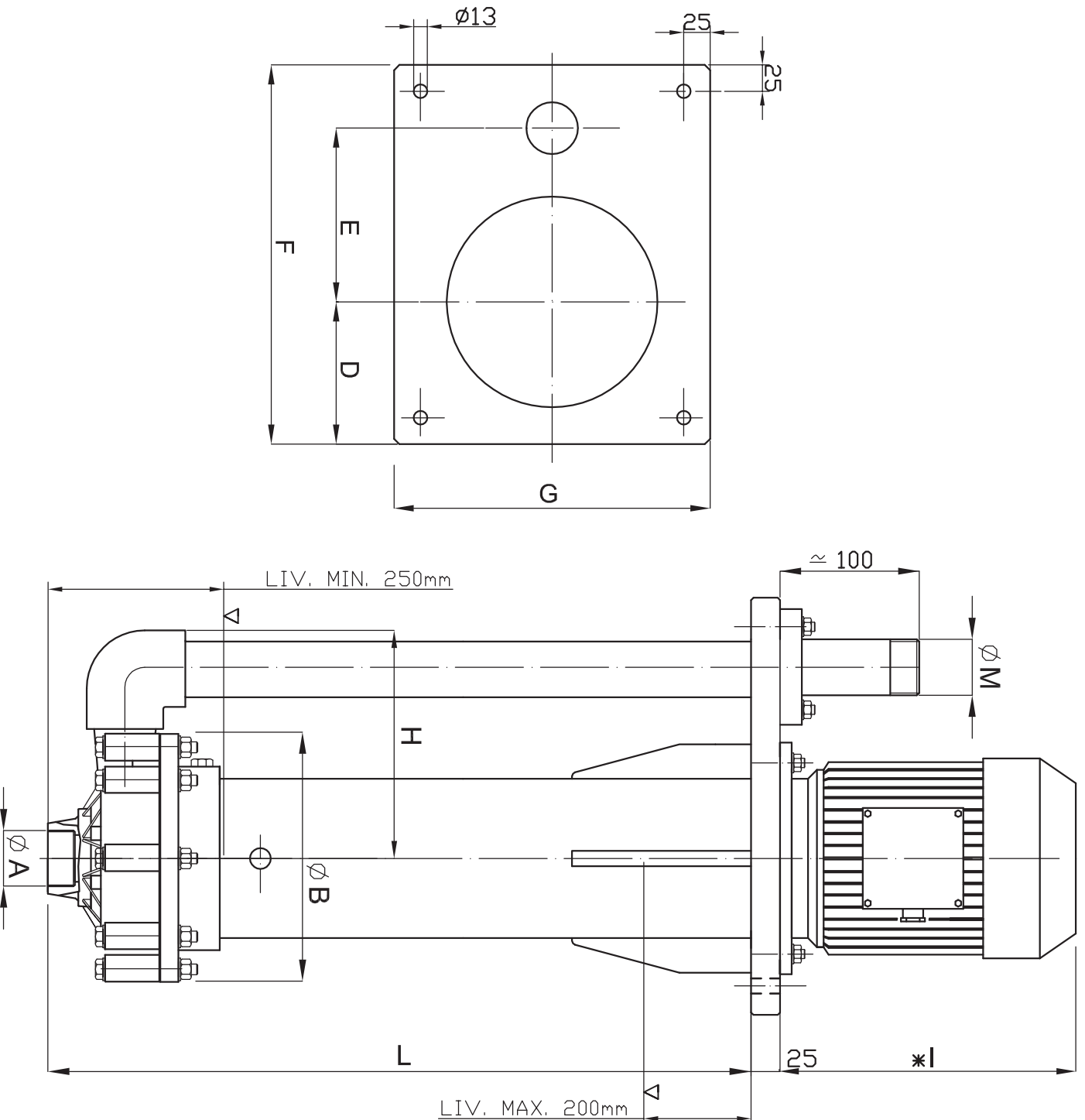
SECTION AND PARTS LIST/SEZIONE E LISTA PARTI



PDS	DESCR.	MAT.
1	Motor	
13	Washer	AISI304
14	Motor-Pump Joint	AISI304-316
17	Nut	AISI304
20	Shaft	C40
21	Shaft covering	PP
22	Key	AISI304
23	Washer	AISI304
24	Washer	AISI304
25	Guide shaft cov.	PP
26	O-ring	EPDM/ITON
27	Bushing	PTFEC
30	Nut	AISI304
31	Plate	PP
32	Screw	AISI304
33	Column	PP
34	Cover	PP/PVDF
35	Wear bushing	Al203
37	O-ring	EPDM/ITON
38	Impeller	PP/PVDF
40	Nut	PP/PVDF
41	O-ring	EPDM/ITON
42	Pump head	PP/PVDF
43	Elbow	PP/PVDF
44	Flow pipe	PP/PVDF
45	O-ring	EPDM/ITON
46	Screw	PVDF
47	Reinforced wing	PP
49	Flange	PP
50	Screw	PVC
51	Screw	AISI304
52	O-ring	EPDM/ITON

* NUT WITH SS INSERT COVERED WITH PP/PVDF

DIMENSIONS/DIMENSIONI D'INGOMBRO



PUMP TYPE	MOTOR FLANGE B5	POT. Kw	DIMENSIONS - mm -							L		
			∅ A	∅ M	∅ B	D	E	F	G		H	* I
HV 130	G 90 L	2.2	2" FEMALE	1 1/2" MALE	215	135	165	360	300	196	280	A RICHIESTA DA 500 A 1000mm ON REQUEST FROM 500 TO 1000mm

* Different according to the manufacturer / Diverso a seconda del fornitore

FEATURES/CARATTERISTICHE

Pump HV/Pompa HV: Vertical centrifugal monobloc
 Verticale centrifuga monoblocco

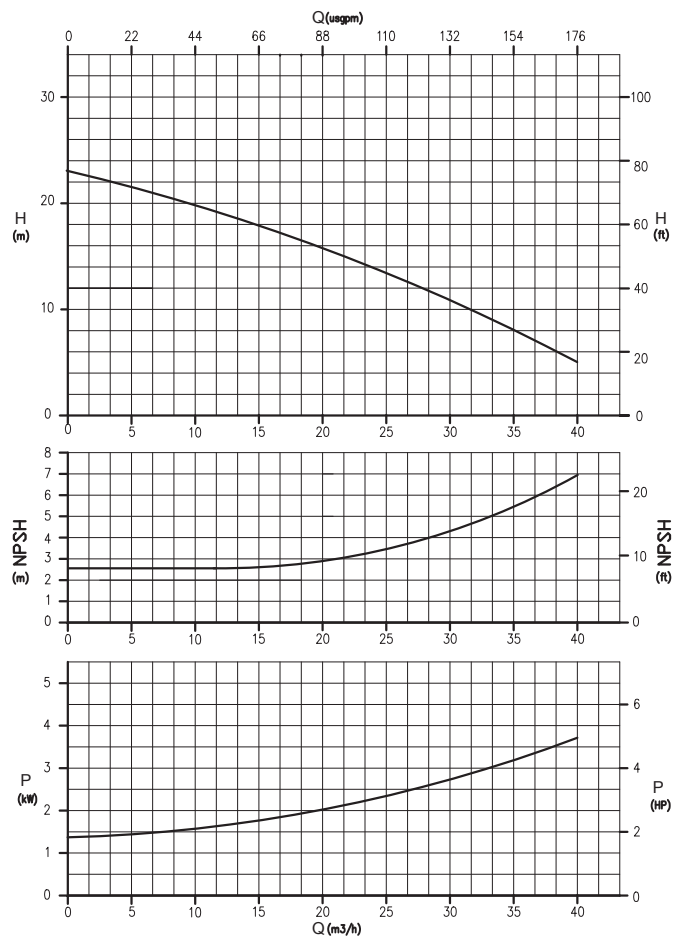
Materials available/Materiali disponibili: PP-PVDF

Max flow/Portata massima: 40 m³/h

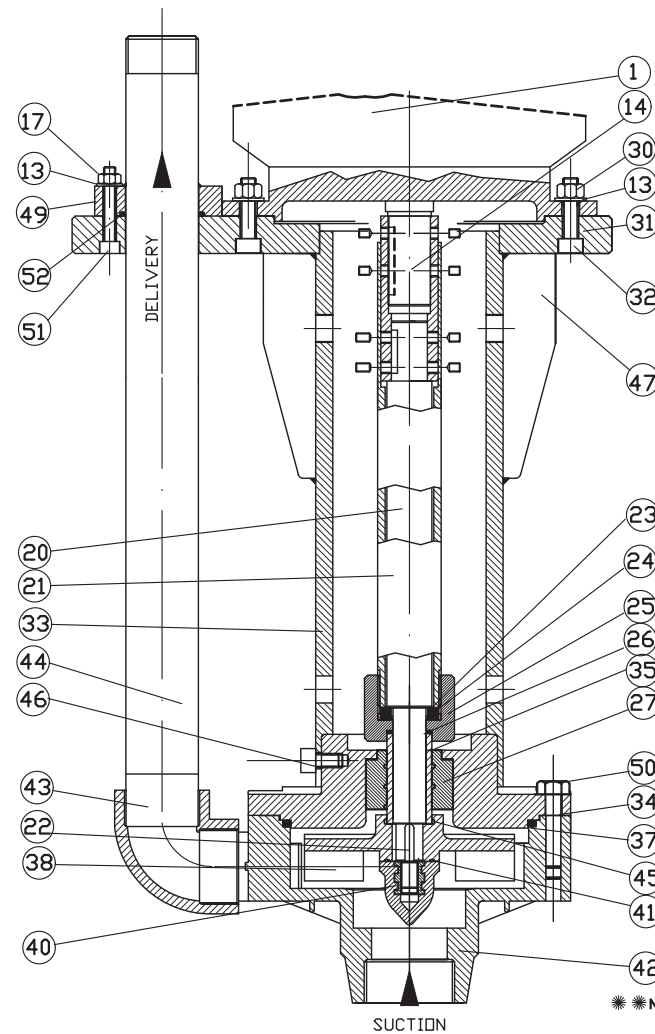
Max head/Prevalenza massima: 22 m

Max temperature/Temperatura massima: PP 60°C/PVDF 90°C

CURVES/CURVE 50HZ-2900 RPM



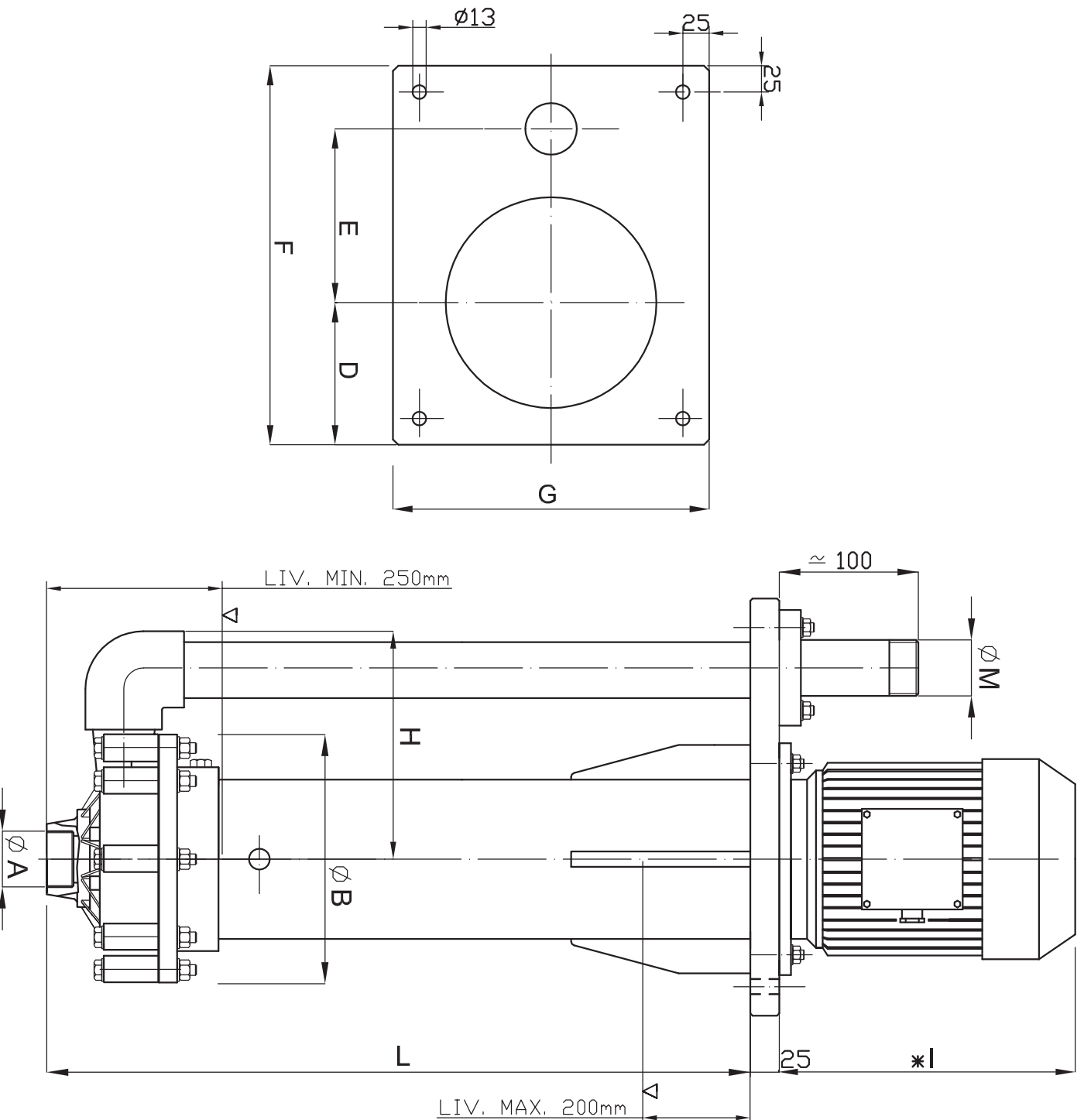
SECTION AND PARTS LIST/SEZIONE E LISTA PARTI



PDS	DESCR.	MAT.
1	Motor	
13	Washer	AISI304
14	Motor-Pump Joint	AISI304-316
17	Nut	AISI304
20	Shaft	C40
21	Shaft covering	PP
22	Key	AISI304
23	Washer	AISI304
24	Washer	AISI304
25	Guide shaft cov.	PP
26	O-ring	EPDM/VITON
27	Bushing	PTFEC
30	Nut	AISI304
31	Plate	PP
32	Screw	AISI304
33	Column	PP
34	Cover	PP/PVDF
35	Wear bushing	Al203
37	O-ring	EPDM/VITON
38	Impeller	PP/PVDF
*40	Nut	PP/PVDF
41	O-ring	EPDM/VITON
42	Pump head	PP/PVDF
43	Elbow	PP/PVDF
44	Flow pipe	PP/PVDF
45	O-ring	EPDM/VITON
46	Screw	PVDF
47	Reinforced wing	PP
49	Flange	PP
50	Screw	PVC
51	Screw	AISI304
52	O-ring	EPDM/VITON

* NUT WITH SS INSERT COVERED WITH PP/PVDF

DIMENSIONS/DIMENSIONI D'INGOMBRO



PUMP TYPE	MOTOR FLANGE B5	POT. Kw	DIMENSIONS - mm -							L		
			∅ A	∅ M	∅ B	D	E	F	G		H	* I
HV 140	G 100 L	3	2" FEMALE	1 1/2" MALE	215	135	165	360	300	196	315	A RICHIESTA DA 500 A 1000mm ON REQUEST FROM 500 TO 1000mm

* Different according to the manufacturer / Diverso a seconda del fornitore